

Job Name/Location:

Tag #:

Date:

For:  File  Resubmit

PO No.:

Approval  Other \_\_\_\_\_

Architect:

GC:

Engr:

Mech:

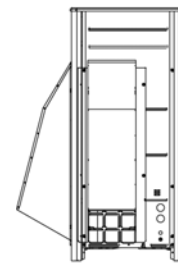
Rep:

(Company)

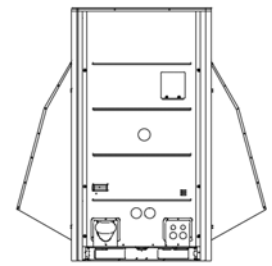
(Project Manager)

# ZHGDKA51A

## Hail Guard Kit for Multi V 5 6 Ton Outdoor Unit



Side View



Front View

### Compatible Outdoor Units:

ARUM072BTE5

ARUM072DTE5

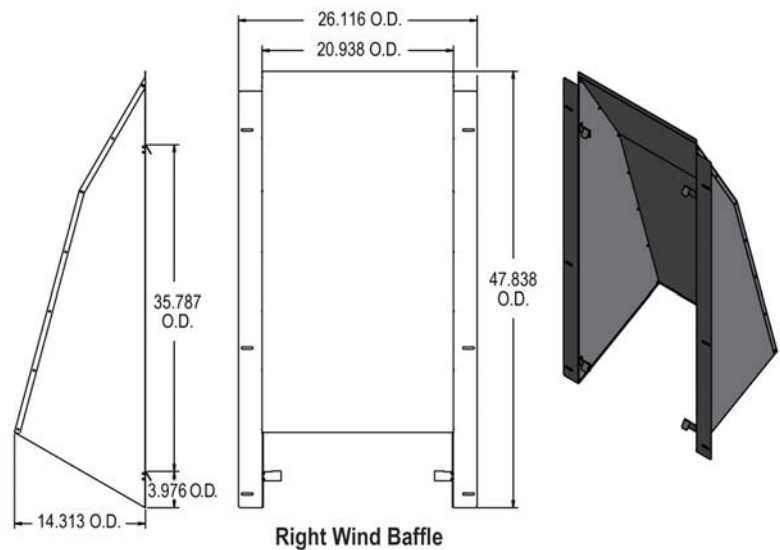
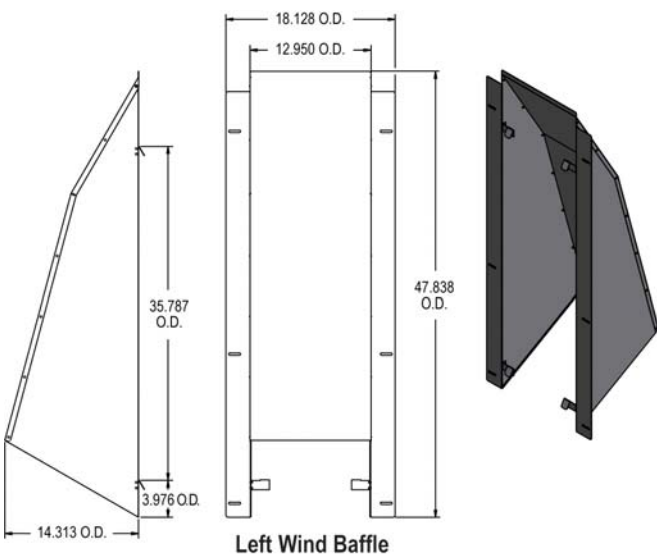
### Fitting Properties:

Color	Dark Gray
Material	20 GA Sheet Metal

### Each kit comes with:

- Right wind baffle
- Left wind baffle
- Rear wind baffle
- (50) #10 x 1/2" self drilling hex head screws

Outdoor Unit	Required Accessory Quantities
	ZHGDKA51A
ARUM072BTE5 / ARUM072DTE5	1



Job Name/Location:

**ZHGDKA51A**  
Hail Guard Kit for Multi V 5 6 Ton Outdoor Unit



Tag #: \_\_\_\_\_

Date: \_\_\_\_\_

PO No.: \_\_\_\_\_

