

Date: _____ For: File Resubmit
 PO No.: _____ Approval Other _____
 Architect: _____ GC: _____
 Engr: _____ Mech: _____
 Rep: _____
 (Company) (Project Manager)



ARUN024GSS4
 Multi V™ S Heat Pump
 2.0 Ton Outdoor Unit

Performance:

Cooling Mode:

Rated Capacity (Btu/h)	24,000
Power Input ¹ (kW)	2.15

Heating Mode:

Rated Capacity (Btu/h)	27,000
Power Input ¹ (kW)	2.54

Rated Capacity is based on the following conditions:

Cooling:	Heating:
Indoor: 80°F DB / 67°F WB	Indoor: 70°F DB
Outdoor: 95°F DB	Outdoor: 47°F DB / 43°F WB

Electrical:

Power Supply (V/Hz/Ø)	208-230/60/1
MOP (A)	30
MCA (A)	19.6
Rated Amps (A)	
Compressor (A)	15.3
Fan (A)	0.5

Piping:

Refrigerant Charge (lbs)	4.0
Liquid Line (in, OD)	3/8
Vapor Line (in, OD)	5/8

Standard Features:

- Night Quiet Operation
- Fault Detection and Diagnosis

Optional Accessories:

- Low Ambient Baffle Kit - PAG-HS6 + PAG-HS7
- Drain Pan Heater - PQSH1200

****Installation of an optional Low Ambient Wind Baffle Kit will allow operation down to -9.9°F in cooling mode.**

Operating Range:

Cooling (°F DB)**	23 - 122
Heating (°F WB)	-4 - 61

Unit Data:

Refrigerant Type	R410A
Refrigerant Control	EEV
Max Number of Indoor Units ²	4
Sound Pressure ³ dB(A)	50
Net Unit Weight (lbs)	159
Shipping Weight (lbs)	176
Communication Cable ⁴ (No x AWG)	2 x 18
Heat Exchanger Coating	GoldFin™

Compressor:

Type	Rotary
Quantity	1
Oil/Type	PVE/FVC68D

Fan:

Type	Axial Flow Fan
Quantity	1
Motor/Drive	Brushless Digitally Controlled/Direct
Air Flow Rate (CFM)	2,119

Notes:

- 1.For AHRI ratings, refer to the AHRI website <http://www.ahridirectory.org>.
- 2.The combination ratio must be between 50 – 130%.
- 3.Sound Pressure levels are tested in an anechoic chamber under ISO Standard 3745.
- 4.All power/communication cable to be minimum 18 American wire gage (AWG), 4-conductor, stranded, shielded or unshielded wire and must comply with applicable local and national code. If shielded, the wire must be grounded to the chassis at the outdoor unit only.
- 5.Nominal data is rated 0 ft above sea level, with 25 ft of refrigerant line per indoor unit and a 0 ft level difference between outdoor and indoor units. All capacities are net with a combination ratio between 95-105%.
- 6.Power wiring cable size must comply with the applicable local and national codes.
- 7.The voltage tolerance is ± 10%.



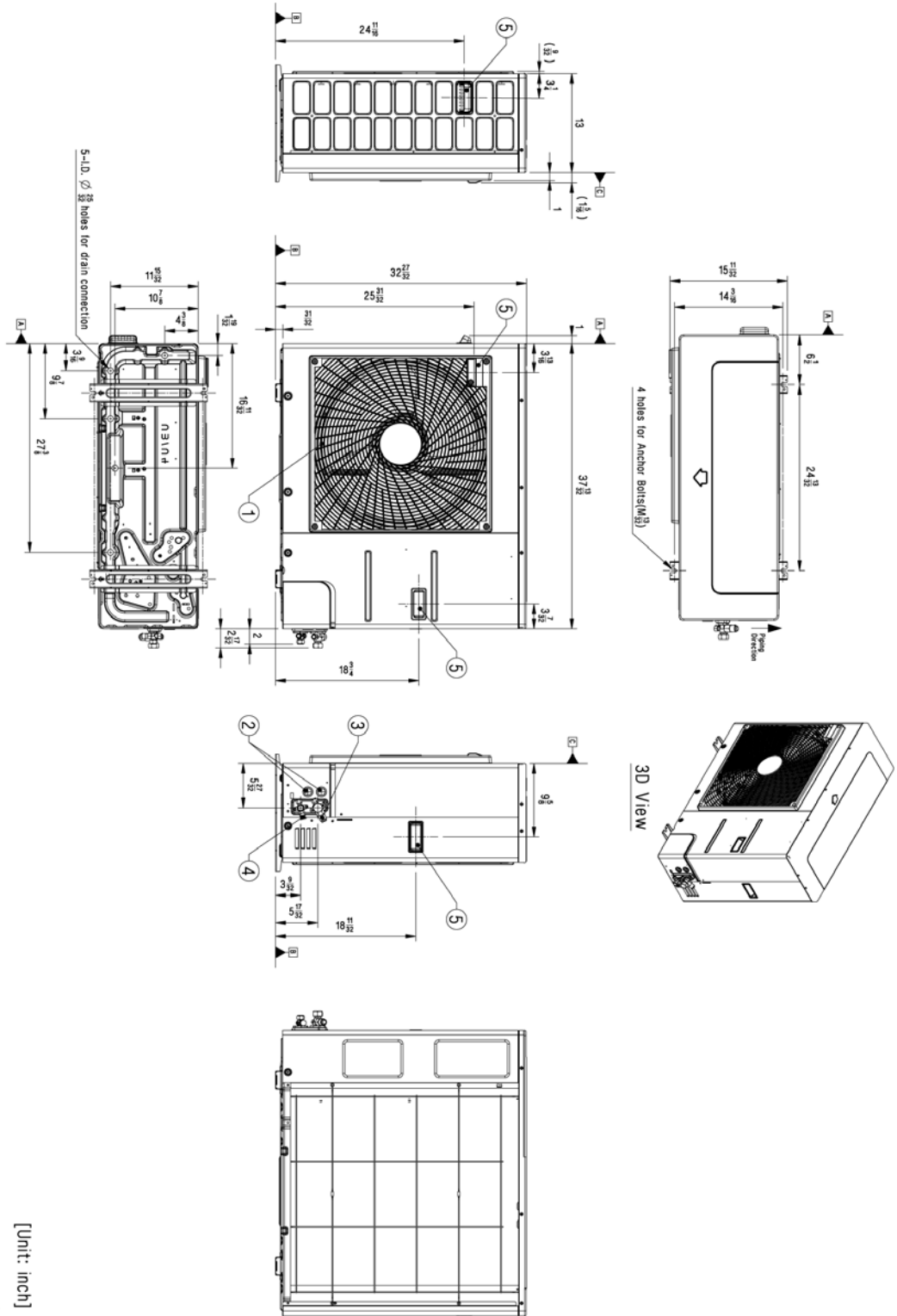
ARUN024GSS4
 Multi V™ S Heat Pump
 2.0 Ton Outdoor Unit



Tag #:

Date:

PO No.:



[Unit: inch]

Symbols		Note	
	Piping Direction	1.	Unit should be installed in compliance with the installation manual in the product box.
	Datum line	2.	Unit should be grounded in accordance with the local regulations or applicable national codes.
		3.	All electrical components and materials to be supplied from the site must comply with the local regulations or international codes.
		4.	Electric characteristics chapter should be considered for electrical work and design. Especially the power cable and circuit breaker should be selected in accordance with that.
		5.	Handle
		4.	Liquid Pipe Connection
		3.	Gas Pipe Connection
		2.	Power and communication cable Hole
		1.	Air Outlet
No.	Part Name		Description