

Date: \_\_\_\_\_ For:  File  Resubmit  
 PO No.: \_\_\_\_\_  Approval  Other \_\_\_\_\_  
 Architect: \_\_\_\_\_ GC: \_\_\_\_\_  
 Engr: \_\_\_\_\_ Mech: \_\_\_\_\_  
 Rep: \_\_\_\_\_  
 (Company) \_\_\_\_\_ (Project Manager) \_\_\_\_\_



**LMN078HVT**  
 Multi F Standard  
 7,000 Btu/h Indoor Unit



**Performance:**

Nominal Cooling Capacity (Btu/h)	7,000
Nominal Heating Capacity (Btu/h)	8,100

Cooling Nominal Test Conditions: Indoor: 80°F DB/67°F WB Outdoor: 95°F DB/75°F WB  
 Heating Nominal Test Conditions: Indoor: 70°F DB/60°F WB Outdoor: 47°F DB/43°F WB

**Electrical:**

Power Supply (V <sup>1</sup> /Hz/Ø)	208-230/60/1
Rated Amps (A)	0.20

**Piping:**

Liquid (in, OD)	1/4
Vapor (in, OD)	3/8
Drain OD, ID (in)	27/32, 5/8
Temperature Sensor	Thermistor

**Controls Features:**

- 4-Way auto swing
- 24-Hour on/off timer
- Auto operation
- Auto restart
- Chaos wind
- Inverter (variable speed fan)
- Jet Cool
- 3M HAF filter
- Self-cleaning indoor coil
- Sleep mode
- Condensate sensor connection
- Group control

**Included Accessories:**

- Wireless Remote Controller - AKB73635606

**Optional Accessories:**

- LG Programmable Thermostat - PREMTB10U
- Simple Controller with Mode (Black) - PQRVCVCL0Q
- Simple Controller with Mode (White) - PQRVCVCL0QW
- Simple Controller without Mode (Black) - PQRCHCA0Q
- Simple Controller without Mode (White) - PQRCHCA0QW
- AC Smart IV - PACS4B000
- ACP IV - PACP4B000
- LonWorks® Gateway - PLNWK100
- ACP IV BACnet® Gateway - PQNFB17C1
- Dry Contact Unit (1 contact, 24 VAC external power) - PQDSB1
- Dry Contact Unit (2 input, power from indoor unit) - PQDSBC
- Dry Contacts for third party thermostat - PQDSBNGCM1 or PDRYCB300

For a complete list of available accessories, contact your LG representative.

**Entering Mixed Air:**

Cooling (°F WB)	57-77
Heating (°F DB)	59-81

**Unit Data:**

Refrigerant Type	R410A
Refrigerant Control	EEV
Sound Pressure <sup>2</sup> H/M/L (±3 dB(A))	33/30/26
Primary Filter	Washable Pre-filter
Secondary Filter	3M HAF
Net Unit Weight (lbs)	20
Shipping Weight (lbs)	26

**Fan:**

Type	Cross Flow
Quantity	1
Motor/Drive	Brushless Digitally Controlled/Direct
Airflow Rate H/M/L (CFM)	198/177/162

**Notes:**

1. Acceptable operating voltage: 187V - 253V.
2. Sound Pressure levels are tested in an anechoic chamber under ISO Standard 1996.
3. See Engineering Manual for sensible and latent capacities.
4. All power/communication cable to be minimum 18 AWG, 4-conductor, stranded, shielded and must comply with applicable local and national code.
5. Power wiring cable size must comply with the applicable local and national code.
6. This unit comes with a dry helium charge.
7. Corresponding refrigerant piping length is in accordance with standard length of each outdoor unit and the level difference is 0 ft. All capacities are net with a combination ratio between 95 - 105%
8. Must follow installation instructions in the applicable LG installation manual.

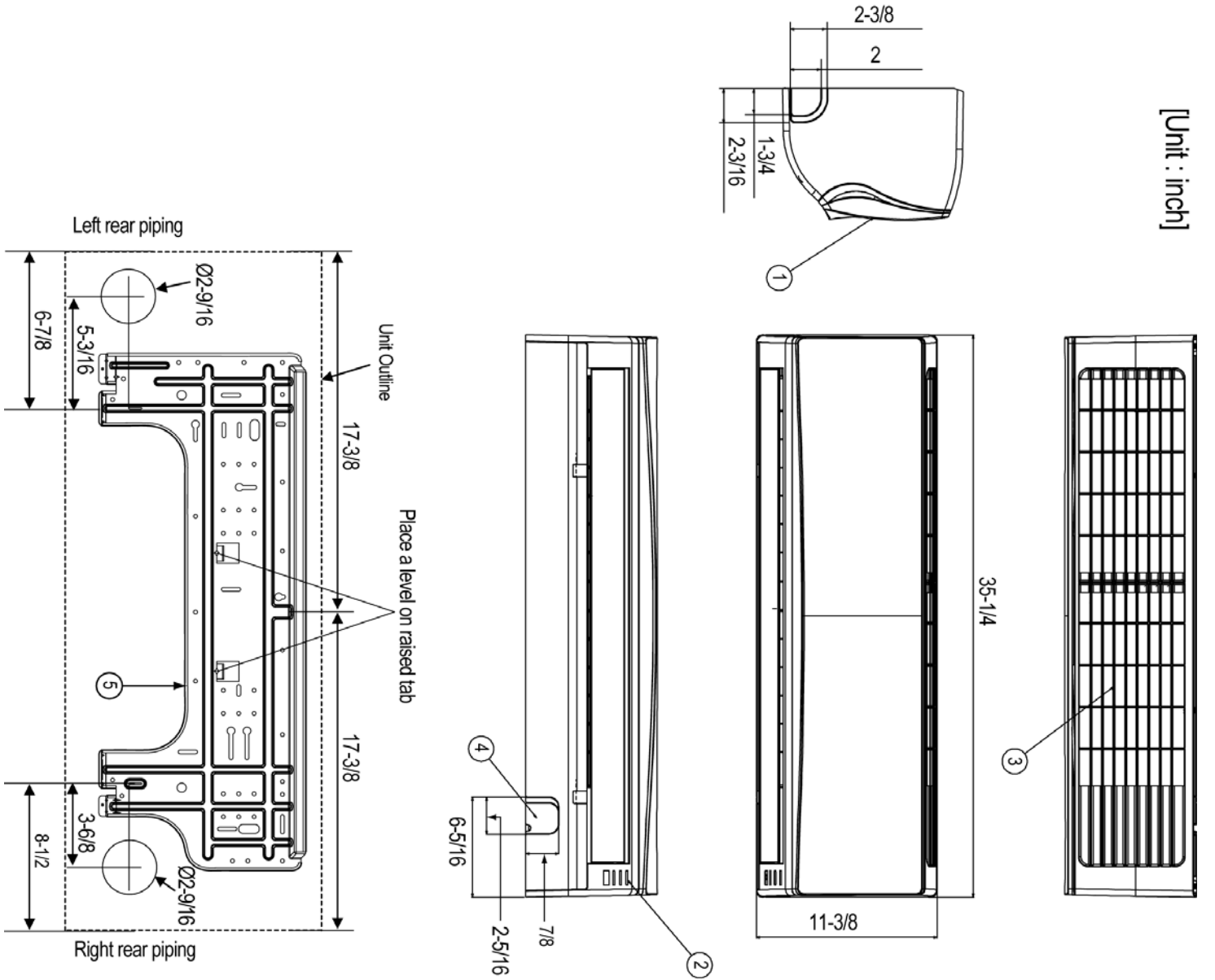


Job Name/Location:

**LMN078HVT**  
 Multi F Standard  
 7,000 Btu/h Indoor Unit



Tag #: \_\_\_\_\_  
 Date: \_\_\_\_\_  
 PO No.: \_\_\_\_\_



[Unit : inch]

Item No.	Part Name	Remark
1	Front Panel	
2	Display & Signal Receiver	
3	Return Air Grille	
4	Knockout hole	For pipe and cable
5	Installation Plate	

