

Job Name/Location:

Tag #:

Date:

For:  File  Resubmit

PO No.:

Approval  Other

Architect: \_\_\_\_\_ GC: \_\_\_\_\_

Engr: \_\_\_\_\_ Mech: \_\_\_\_\_

Rep: \_\_\_\_\_

(Company)

(Project Manager)

**LMU30CHV**  
Multi F Inverter Heat Pump Outdoor Unit



**Performance:**

Nominal Cooling Capacity (Btu/h)	30,000
Nominal Heating Capacity (Btu/h)	32,000
Cooling Power Input (kW)	2.31
Heating Power Input (kW)	2.49

Cooling Nominal Test Conditions:

Indoor: 80°F DB/67°F WB  
Outdoor: 95°F DB/75°F WB

Heating Nominal Test Conditions:

Indoor: 70°F DB/60°F WB  
Outdoor: 47°F DB/43°F WB

**Electrical:**

Power Supply (V <sup>1</sup> /Hz/Ø)	208-230/60/1
MOP (A)	25
MCA (A)	16.6
Cooling Rated Amps (A)	13.93
Heating Rated Amps (A)	13.93
Compressor (A)	10.8
Fan Motor (A)	0.73

MOP - Maximum Overcurrent Protection MCA - Minimum Circuit Ampacity

**Piping:**

Refrigerant Charge (lbs)	6.18
Liquid Line (in, OD)	1/4 x 4
Vapor Line (in, OD)	3/8 x 4
Max Total Piping <sup>2</sup> (ft)	246.1
Max ODU to IDU Piping (ft)	82
Piping Length (no add'l refrigerant, ft)	98.4
Max Elevation between ODU and IDU (ft)	49.2
Max Elevation between IDU and IDU (ft)	24.6

ODU - Outdoor Unit IDU - Indoor Unit

**Controls Features:**

- Auto operation
- Auto restart operation
- Defrost/Deicing
- Inverter (variable speed compressor)
- Built-in low ambient standard down to 14F
- Restart delay (3-minutes)
- Self diagnosis
- Soft start

**Optional Accessories:**

- PI-485 Integration Board - PMNFP14A1
- AC Smart IV - PACS4B000
- AC Ez - PQCSZ250S0
- Power Distribution Indicator - PQNUD1S00
- ACP IV - PACP4B000
- LONWORKS Gateway - PLNWKB100
- ACP IV BACnet - PQNFB17C1

**Operating Range:**

Cooling (°F DB)	14-118
Heating (°F WB)	-4-64

**Unit Data:**

Refrigerant Type	R410A
Refrigerant Control	EEV
Sound Pressure <sup>3</sup> (Cool/Heat) ±3 dB(A)	52/55
Net Unit Weight (lbs)	137
Shipping Weight (lbs)	148
Heat Exchanger Coating	GoldFin™
Min Number of Indoor Units	2
Max Number of Indoor Units	4

**Compressor:**

Quantity	1
Type	Twin Rotary
Oil/Type	FVC68D

**Fan:**

Type	Propeller
Quantity	1
Fan Motor/Drive	Brushless Digitally Controlled/Direct
Airflow Rate (CFM)	2119

**Notes:**

1. Acceptable operating voltage: 187V-253V.
2. Piping lengths are equivalent.
3. Sound Pressure levels are tested in an anechoic chamber under ISO Standard 1996.
4. All power/communication cable to be minimum 18 AWG, 4-conductor, stranded, shielded and must comply with applicable local and national code.
5. Power wiring cable size must comply with the applicable local and national code.
6. See Engineering Manual for sensible and latent capacities.
7. Power wiring cable size must comply with the applicable local and national code.
8. This data is rated 0 ft above sea level, with 24.6 ft of refrigerant line and a 0 ft level difference between outdoor and indoor units. All capacities are net with a combination ratio between 95 – 105%.
9. Refer to the Engineerin Manual for combination capacity tables.
10. Must follow installation instructions in the applicable LG installation manual.
11. See Engineering Manual Capacity Tables for ODU capacity at design condition.



For a complete list of available accessories, contact your LG representative.

For continual product development, LG reserves the right to change specifications without notice.

©LG Electronics U.S.A., Inc., Englewood Cliffs, NJ. All rights reserved. "LG Life's Good" is a registered trademark of LG Corp. /www.lghvac.com.

# LMU30CHV

Multi F Inverter Heat Pump Outdoor Unit

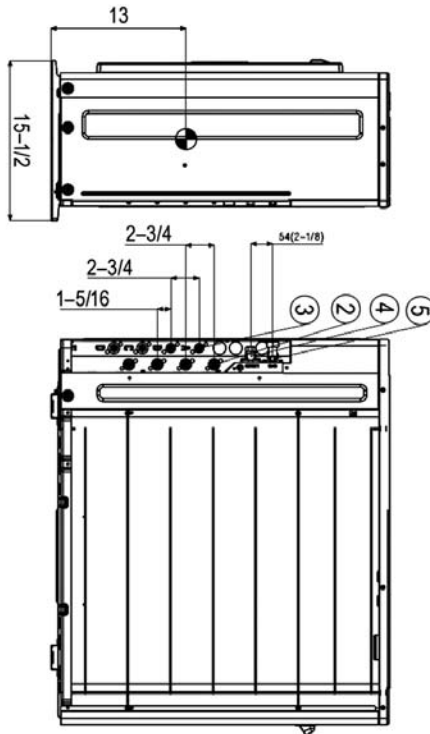
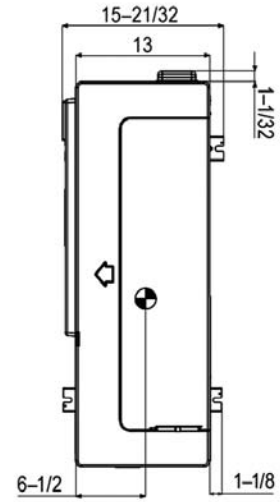
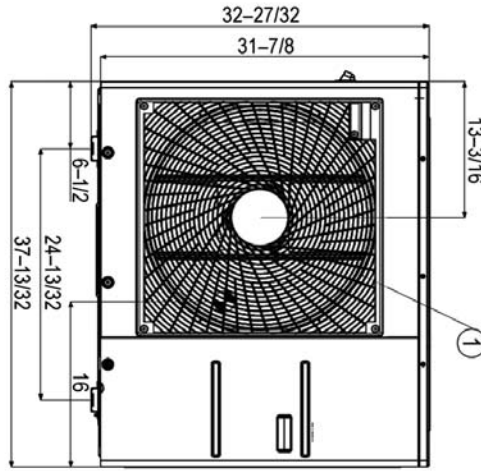


Tag #:

Date:

PO No.:

No.	Part Name
1	Air discharge grille
2	Gas pipe connection
3	Liquid pipe connection
4	Main service valve(Liquid)
5	Main service valve(Gas)



Unit: inch  
 ● Center of Gravity