

Job Name/Location:

Tag #:

Date:

For: File Resubmit

PO No.:

Approval Other

Architect:

GC:

Engr:

Mech:

Rep:

(Company)

(Project Manager)



ARNU073BGA4
Multi V™ Ducted (High Static)
7,500 Btu/h Indoor Unit



Performance:

Total Cooling Capacity (Btu/h)	7,500
Heating Capacity (Btu/h)	8,500
Power Input ¹ (W)	450

Cooling Nominal Test Conditions:

Indoor: 80°F DB/67°F WB

Outdoor: 95°F DB

Heating Nominal Test Conditions:

Indoor: 70°F DB

Outdoor: 47°F DB/43°F WB

Electrical:

Power Supply (V/Hz/Ø)	208-230/60/1
Rated Amps (A)	2.65

Piping:

Refrigerant:

Liquid Line (in, OD)	3/8 Flare
Vapor Line (in, OD)	5/8 Flare

Condensate:

Condensate Pump Drain ² (in, ID)	1 Plain
Gravity Drain Plugged (in, OD)	1 MPT

Controls Features:

- Auto changeover (Heat Recovery only)
- Auto operation
- Auto restart
- Dual thermistor control
- Dual setpoint control
- Multiple aux heater applications
- Filter life and power consumption display
- External on/off control
- Weekly schedule
- Fan speed control
- Group control
- Hot start
- Self diagnostics
- Timer (on/off)
- Child lock

Optional Accessories:

- Wireless Remote Controller³ - PQWRHQ0FDB
- LG Programmable Controller - PREMTB10U
- LG Premium Controller - PREMTA000
- Simple Controller with Mode (Black) - PQRCVCL0Q
- Simple Controller with Mode (White) - PQRCVCL0QW
- Simple Controller without Mode (Black) - PQRCHCA0Q
- Simple Controller without Mode (White) - PQRCHCA0QW
- Simple Dry Contact (1 contact, 24 VAC external power) - PDRYCB100
- Dry Contact for Economizer - PQDSBC1
- Dry Contact for Third Party Thermostat - PDRYCB300
- Wall Mounted Temperature Sensor - PQRSTA0
- High Efficiency Filter Box for BG HSD Chassis - ZFBXBG01A
- Dynamic V8 2VL Low Profile Air Cleaner - ZPLMV201A
- Dynamic V8 4VL Air Cleaner - ZPLMV402A
- Dynamic V8 VL Replacement Filter Pads (4-Pack) - ZFLT1301A
- Dynamic V8 VL Replacement Filter Pads (24 Pack) - ZFLT1302A
- Return Air Grille - Louvered (one per plenum) - ZGRLRA01A
- Return Air Grille - Egg Crate (one per plenum) - ZGRLRA02A
- 2VL Low Profile Return Air Plenum - ZPLMV201A
- 4VL Return Air Plenum - ZPLMV402A
- Aux Heater Kit - PRARH1

Entering Mixed Air:

Cooling Max ⁴ (°F WB)	76
Heating Min (°F DB)	59

Unit Data:

Refrigerant Type	R410A
Refrigerant Control	EEV
Sound Pressure ⁵ dB(A) (H/M/L)	35 / 35 / 34
Filter Type	Washable
MERV	N/A
Filter Quantity	1
Filter Dimensions ⁶	7-1/2" x 30-3/4" x 1/4"
Net Unit Weight (lbs)	83.8
Shipping Weight (lbs)	94.8

Fan:

Type	Sirocco
Fan Quantity	2
Motor/Drive	Brushless Digitally Controlled/Direct
Motor Quantity	1
Standard Mode Airflow Rate H/M/L (CFM)	516/484/434
Standard Mode External Static Pressure (ESP) ⁷ (in wg)	0.15
High Mode Airflow Rate H/M/L (CFM)	441/406/332
High Mode External Static Pressure (ESP) ⁷ (in wg)	0.23
Minimum ESP (in wg) ⁸	0.12
Maximum ESP (in wg) ⁸	0.70

Notes:

1. The Power Input is rated at high speed.
2. Maximum lift is 27 in from bottom of unit. Check valve not included (field supplied).
3. Requires an LG wall controller because ducted units do not have infrared receiver.
4. See Engineering Manual for sensible and latent capacities.
5. Sound Pressure levels are tested in an anechoic chamber under ISO Standard 3745.
6. Actual filter sizes may vary.
7. At factory fan speed setting.
8. Maximum static pressure may result in reduced airflow (CFM).
9. All communication cable to be minimum 18 AWG, 2-conductor, stranded, shielded and must comply with applicable local and national code.
10. Power wiring cable size must comply with the applicable local and national code.
11. This unit comes with a dry nitrogen charge.
12. This data is rated 0 ft above sea level, with 25 ft of refrigerant line per indoor unit and a 0 ft level difference between outdoor and indoor units. All capacities are net with a combination ratio between 95 – 105%.
13. Must follow installation instructions in the applicable LG installation manual.



For continual product development, LG reserves the right to change specifications without notice.

Job Name/Location:

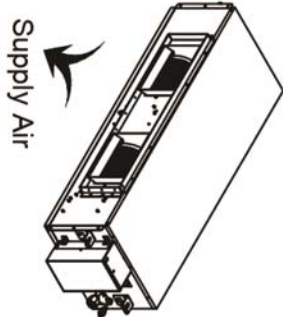
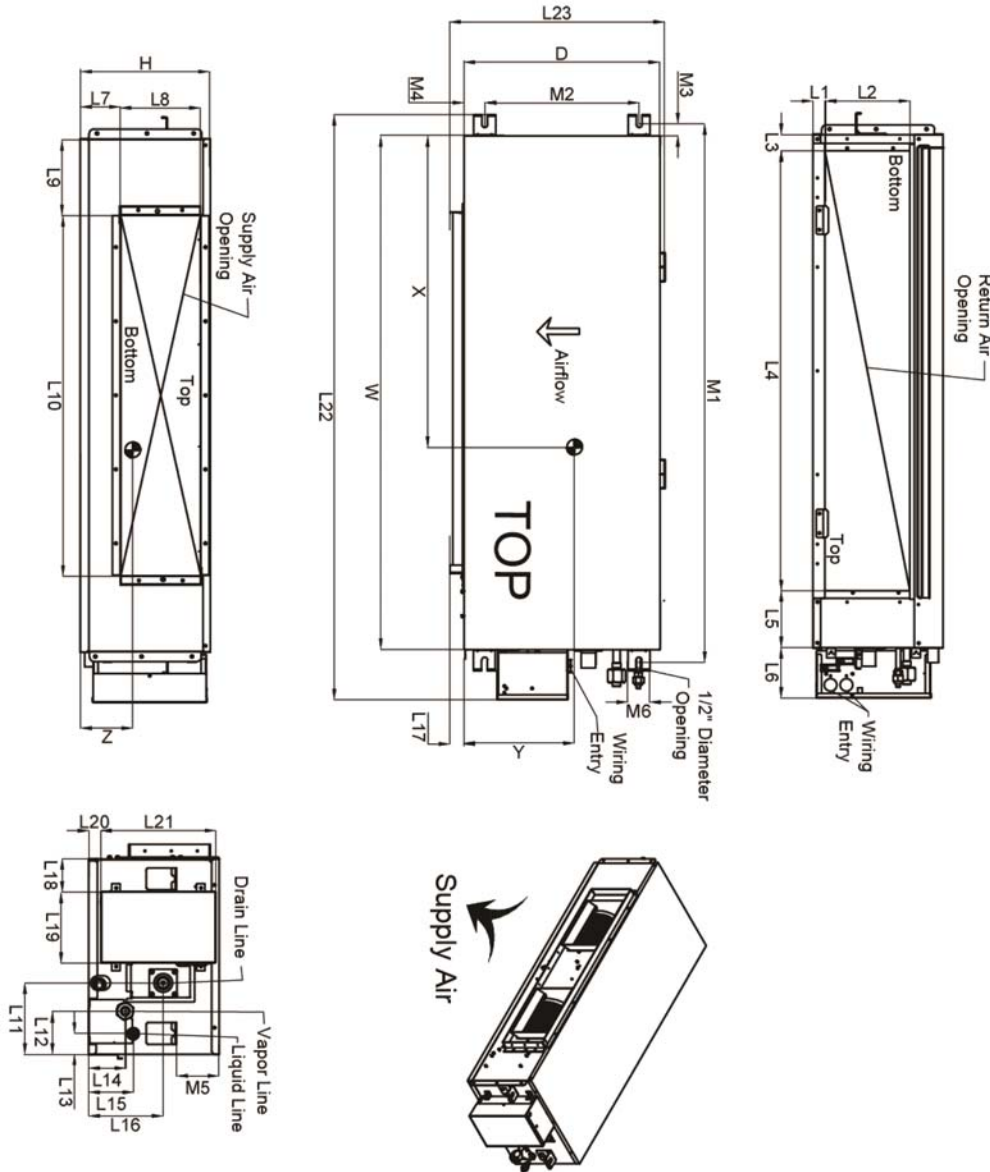
ARNU073BGA4
Multi V™ Ducted (High Static)
7,500 Btu/h Indoor Unit



Tag #:

Date:

PO No.:



W	46 9/16"
D	17 3/4"
H	11 3/4"
L1	13 1/6"
L2	8"
L3	15 1/6"
L4	41 1/8"
L5	4 1/2"
L6	4 1/4"
L7	3 3/8"
L8	7 3/8"
L9	6 15/16"
L10	32 5/8"
L11	6 3/8"
L12	3 15/16"
L13	1 7/8"
L14	3 1/4"
L15	4"
L16	6 3/4"
L17	1 3/8"
L18	3"
L19	4 13/16"
L20	1 1/8"
L21	10 1/4"
L22	53"
L23	19 5/16"
M1	48 7/16"
M2	14"
M3	1"
M4	2 15/16"
M5	2 1/2"
M6	2"

Center of Gravity

X	2 1/4"
Y	8 5/8"
Z	5 3/8"

Note - All dimensions have a tolerance of ± 0.25 in.
 = Center of Gravity