

Job Name/Location:

Tag #:

Date:

For: File Resubmit
 Approval Other _____

PO No.:

Architect: GC:

Engr: Mech:

Rep:

(Company)

(Project Manager)

ARNU123SFA4
Multi V™ Art Cool™ Gallery
12,300 Btu/h Indoor Unit



Performance:

Nominal Cooling Capacity (Btu/h)	12,300
Nominal Heating Capacity (Btu/h)	13,600
Power Input ¹ (W)	35

Cooling Nominal Test Conditions:

Indoor: 80°F DB/67°F WB
Outdoor: 95°F DB/75°F WB

Heating Nominal Test Conditions:

Indoor: 70°F DB/60°F WB
Outdoor: 47°F DB/43°F WB

Electrical:

Power Supply (V ¹ /Hz/Ø)	208-230/60/1
Rated Amps (A)	0.3

Piping:

Liquid Line (in, OD)	1/4 Flare
Vapor Line (in, OD)	1/2 Flare
Drain (in, ID)	5/8
Temperature Sensor	Thermistor

Controls Features:

- Auto changeover (Heat Recovery only)
- Auto operation
- Auto clean (coil dry)
- Auto restart
- Child lock
- Dual thermistor control
- Group control
- Hot start
- Self diagnostics
- Timer (on/off)
- Weekly schedule
- Auto direction/swing (up/down)
- Auto direction/swing (left/right)
- Fan speed control
- Jet cool (fast cooling)
- Dual setpoint control
- Filter life and power consumption displays
- External on/off control
- Multiple aux heater applications

Optional Accessories:

- Wireless Remote Controller - PQWRHQ0FDB
- LG Programmable Controller - PREMTB10U
- LG Premium Controller - PREMTA000
- Simple Controller with Mode (Black) - PQRVCLOQ
- Simple Controller with Mode (White) - PQRVCLOQW
- Simple Controller without Mode (Black) PQRCHCAOQ
- Simple Controller without Mode (White) - PQRCHCA0QW
- Simple Dry Contact (1 contact, 24 VAC external power) - PDRYCB100
- Dry Contact for Economizer - PQDSBC1
- Dry Contact for Third Party Thermostat - PDRYCB300
- Auxiliary Heater Kit - PRARS1

Entering Mixed Air:

Cooling Max ² (°F WB)	76
Heating Min (°F DB)	59

Unit Data:

Refrigerant Type	R410A
Refrigerant Control	EEV
Sound Pressure ³ H/M/L (±3 dB(A))	44 / 38 / 32
Primary Filter	Washable Pre-filter
Net Unit Weight (lbs)	33
Shipping Weight (lbs)	38

Fan:

Type	Turbo
Quantity	1
Motor/Drive	Brushless Digitally Controlled/Direct
Airflow Rate H/M/L (CFM)	328 / 272 / 212

Notes:

- 1.The Power Input is rated at high speed.
- 2.See Engineering Manual for sensible and latent capacities.
- 3.Sound Pressure levels are tested in an anechoic chamber under ISO Standard 3745.
- 4.All communication cable to be minimum 18 AWG, 2-conductor, stranded, shielded and must comply with applicable local and national code.
- 5.Plasma filter kit accessory available separately.
- 6.Power wiring cable size must comply with the applicable local and national code.
- 7.This unit comes with a dry nitrogen charge.
- 8.This data is rated 0 ft above sea level, with 25 ft of refrigerant line per indoor unit and a 0 ft level difference between outdoor and indoor units. All capacities are net with a combination ratio between 95 – 105%.
- 9.Must follow installation instructions in the applicable LG installation manual.



For continual product development, LG reserves the right to change specifications without notice.

© LG Electronics U.S.A., Inc., Englewood Cliffs, NJ. All rights reserved. "LG Life's Good" is a registered trademark of LG Corp. /www.lghvac.com

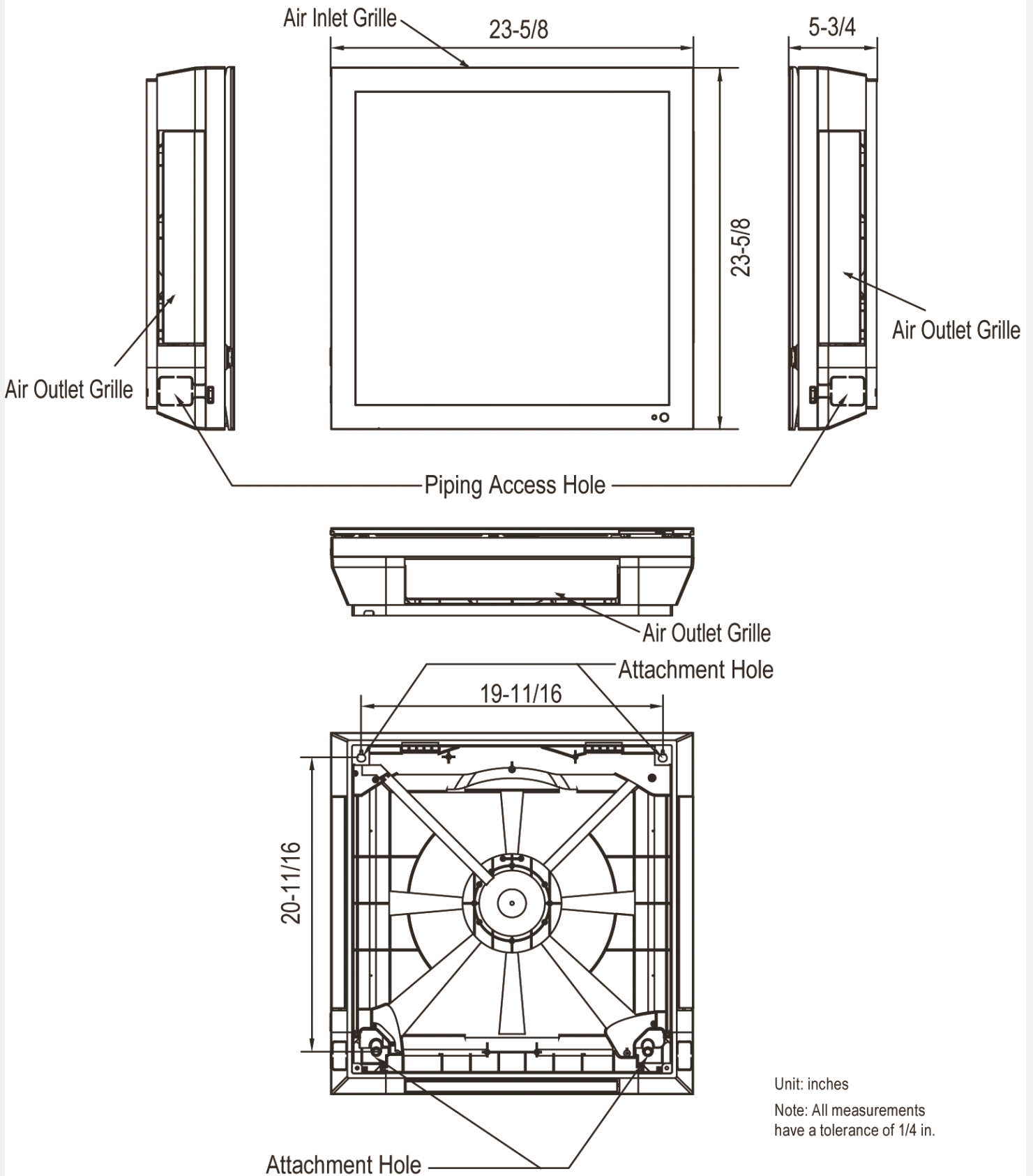
ARNU123SFA4
Multi V™ Art Cool™ Gallery
12,300 Btu/h Indoor Unit



Tag #:

Date:

PO No.:



Unit: inches
Note: All measurements
have a tolerance of 1/4 in.