

Job Name/Location:

Tag #:

Date: \_\_\_\_\_ For:  File  Resubmit  
 PO No.: \_\_\_\_\_  Approval  Other \_\_\_\_\_  
 Architect: \_\_\_\_\_ GC: \_\_\_\_\_  
 Engr: \_\_\_\_\_ Mech: \_\_\_\_\_  
 Rep: \_\_\_\_\_  
 (Company) \_\_\_\_\_ (Project Manager) \_\_\_\_\_



**LA120HYV**  
 Art Cool™ Prestige Single Zone Inverter  
 Outdoor Unit (ODU) - LAU120HYV Indoor Unit (IDU) - LAN120HYV



**Performance:**

**Cooling:**

Capacity (Btu/h)	12,000
SEER	25.5
EER	14.1

SEER - Seasonal Energy Efficiency Ratio EER - Energy Efficiency Ratio

**Heating:**

Capacity (Btu/h)	13,600
HSPF	11.5

HSPF - Heating Seasonal Performance Factor

Cooling Nominal Test Conditions: Indoor: 80°F DB/67°F WB Outdoor: 95°F DB/75°F WB  
 Heating Nominal Test Conditions: Indoor: 70°F DB/60°F WB Outdoor: 47°F DB/43°F WB

**Electrical:**

Power Supply (V <sup>1</sup> /Hz/Ø)	208-230/60/1
-------------------------------------	--------------

**Outdoor Unit:**

MOP (A)	15
MCA (A)	11.2
Cooling Rated Amps (A)	8.70
Heating Rated Amps (A)	8.70
Compressor (A)	8.3
Fan Motor (A)	0.40

MOP - Maximum Overcurrent Protection MCA - Minimum Circuit Ampacity

**Total Power Input:**

Cooling Power Input (kW)	0.85
Heating Power Input (kW)	0.86

**Piping:**

Liquid Line (in, OD)	1/4
Vapor Line (in, OD)	3/8
Additional Refrigerant (oz/ft)	0.22
Max Pipe Length (ft) <sup>2</sup>	65.6
Piping Length (no add'l refrigerant, ft)	41.0
Max Elevation (ft)	32.8

**Controls Features:**

- 24-Hour on/off timer
- 4-Way auto swing
- Auto changeover
- Auto restart
- Chaos wind
- Self cleaning indoor coil
- Condensate sensor connection
- Defrost control
- Dehumidifying mode
- Hot start
- Jet cool/Jet heat
- Self diagnosis
- Sleep mode
- Soft dry operation
- Ultra quiet operation
- Cooling only switch

**Optional Accessories (sold separately):**

- LG Programmable Thermostat - PREMTB10U
- Dry Contact for third party thermostat - PDRYCB300

**Operating Range:**

**Outdoor Unit:**

Cooling (°F DB)	14-118
Heating (°F WB)	-13-75

**Indoor Unit:**

Cooling (°F WB)	64-90
Heating (°F DB)	60-86

**Unit Data:**

Refrigerant Type	R410A
Refrigerant Control	EEV
Refrigerant Charge (lbs)	2.54
ODU Sound Pressure (Max) ±3 dB(A) <sup>3</sup>	45
IDU Sound Pressure (H/M/L/Sleep) ±3 dB(A) <sup>3</sup>	42/36/25/17
ODU Net Unit Weight (lbs)	73
ODU Shipping Weight (lbs)	78
IDU Net Unit Weight (lbs)	25
IDU Shipping Weight (lbs)	29
Heat Exchanger Coating	GoldFin™

**Fan:**

ODU Type	Propeller
IDU Type	Cross Flow
Fan Speeds (Fan/Cooling/Heating)	6/6/6
Quantity (ODU + IDU)	1 + 1
Motor/Drive	Brushless Digitally Controlled/Direct
ODU Max Air Flow Rate (CFM)	1,165
IDU Air Flow H/M/L (CFM)	494/417/283
Dehumidification (pts/hr)	3.7

**Notes:**

1. Acceptable operating voltage: 187V - 253V.
2. Piping lengths are equivalent.
3. Sound Pressure levels are tested in an anechoic chamber under ISO Standard 1996.
4. All power/communication cable to be minimum 18 AWG, 4-conductor, stranded, shielded and must comply with applicable local and national code.
5. See Engineering Manual for sensible and latent capacities.
6. Power wiring cable size must comply with the applicable local and national code.
7. The indoor unit comes with a dry helium charge.
8. This data is rated 0 ft above sea level, with 24.6 ft of refrigerant line and a 0 ft level difference between outdoor and indoor units.
9. Must follow installation instructions in the applicable LG installation manual.



Job Name/Location:

# Outdoor Unit (ODU) - LAU120HYV

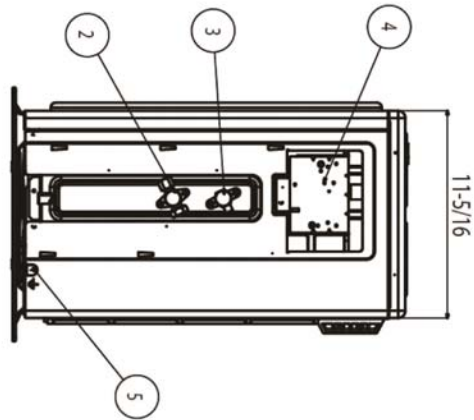
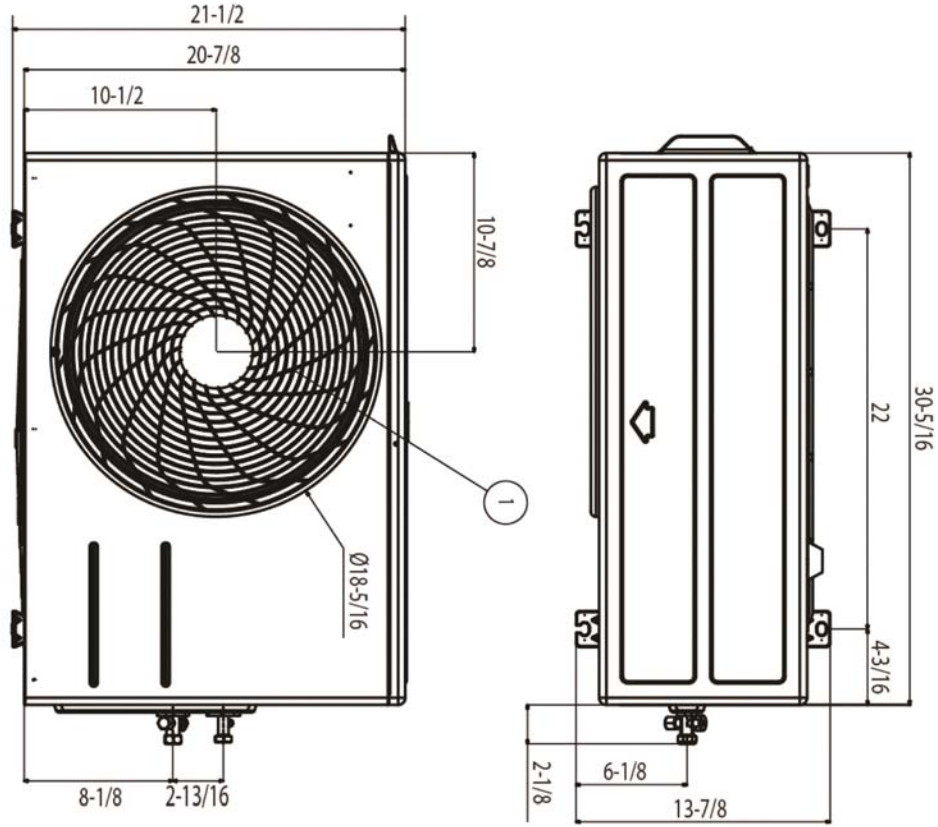
Art Cool™ Prestige Single Zone Inverter



Tag #:

Date:

PO No.:



Unit: inch

Item No.	Part Name	Remarks
1	Return Air Grille	
2	Gas Pipe Connection Port	
3	Liquid Pipe Connection Port	
4	Control Box	
5	Earth Screw	

# Indoor Unit (IDU) - LAN120HYV

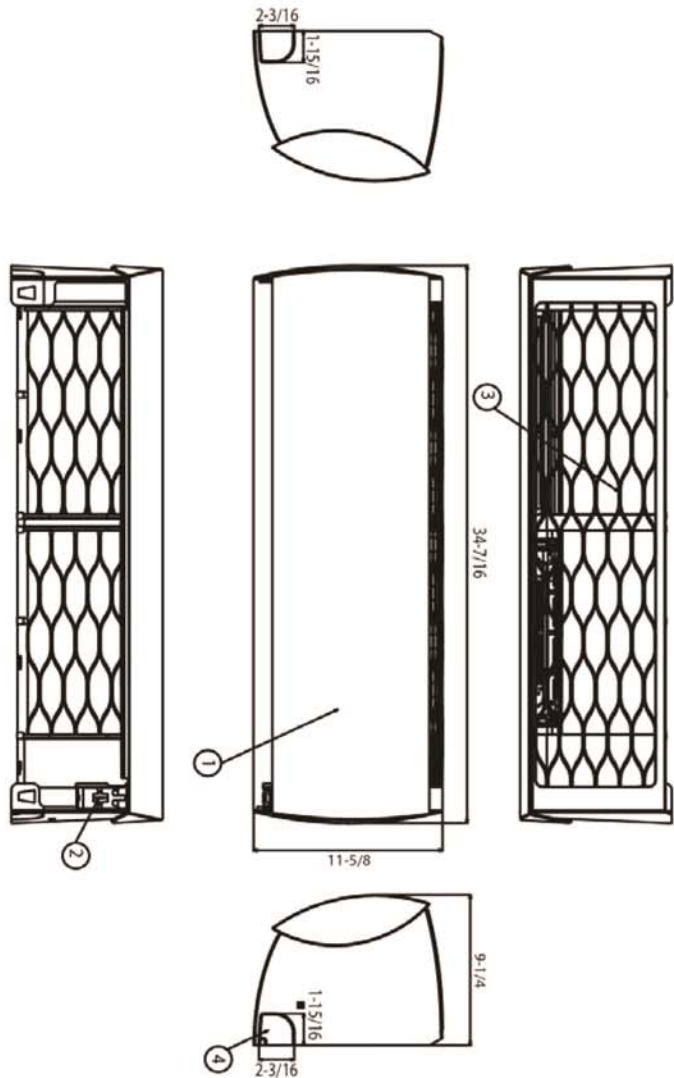
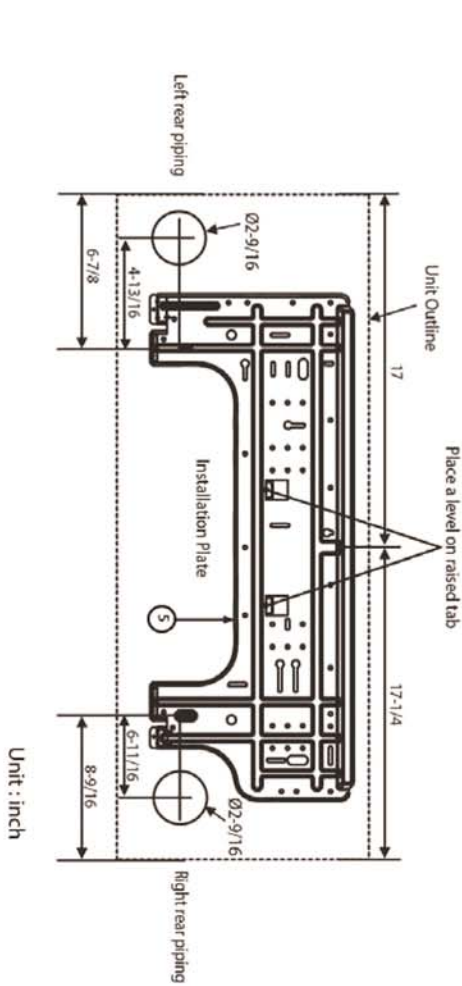
Art Cool™ Prestige Single Zone Inverter



Tag #: \_\_\_\_\_

Date: \_\_\_\_\_

PO No.: \_\_\_\_\_



Item No	Part Name	Remarks
1	Front Panel	
2	Display & Signal Receiver	
3	Return Air Grille	
4	Knockout hole	For pipe and cable
5	Installation Plate	