

Date: \_\_\_\_\_

PO No.: \_\_\_\_\_

Architect: \_\_\_\_\_

Engr: \_\_\_\_\_

Rep: \_\_\_\_\_

(Company) \_\_\_\_\_ (Project Manager)

For:  File  Resubmit  
 Approval  Other \_\_\_\_\_

GC: \_\_\_\_\_

Mech: \_\_\_\_\_

**ARUN048GSS4**  
 Multi V™ S Heat Pump  
 4.0 Ton Outdoor Unit



**Performance:**

**Cooling Mode:**

Rated Capacity (Btu/h)	48,000
Power Input <sup>1</sup> (kW)	5.05

**Heating Mode:**

Rated Capacity (Btu/h)	54,000
Power Input <sup>1</sup> (kW)	4.95

Rated Capacity is based on the following conditions:

Cooling:	Heating:
Indoor: 80°F DB / 67°F WB	Indoor: 70°F DB
Outdoor: 95°F DB	Outdoor: 47°F DB / 43°F WB

**Electrical:**

Power Supply (V/Hz/Ø)	208-230/60/1
MOP (A)	50
MCA (A)	30
Rated Amps (A)	
Compressor (A)	23.1
Fan (A)	1.0

**Piping:**

Refrigerant Charge (lbs)	6.6
Liquid Line (in, OD)	3/8
Vapor Line (in, OD)	5/8

**Standard Features:**

- Night Quiet Operation
- Fault Detection and Diagnosis

**Optional Accessories:**

- Low Ambient Baffle Kit - PAG-HS4 + PAG-HS5

**\*\*Installation of an optional Low Ambient Wind Baffle Kit will allow operation down to -9.9°F in cooling mode.**

**Operating Range:**

Cooling (°F WB)**	23-122
Heating (°F DB)	-4 - 61

**Unit Data:**

Refrigerant Type	R410A
Refrigerant Control	EEV
Max Number of Indoor Units <sup>2</sup>	8
Sound Pressure <sup>3</sup> dB(A)	51
Net Unit Weight (lbs)	207
Shipping Weight (lbs)	218
Communication Cable <sup>4</sup> (No x AWG)	2 x 18
Heat Exchanger Coating	GoldFin™

**Compressor:**

Type	Rotary
Quantity	1
Oil/Type	PVE/FVC68D

**Fan:**

Type	Axial Flow Fan
Quantity	2
Motor/Drive	Brushless Digitally Controlled/Direct
Air Flow Rate (CFM)	3,885

**Notes:**

- 1.For AHRI ratings, refer to the AHRI website <http://www.ahridirectory.org>.
- 2.The combination ratio must be between 50 – 130%.
- 3.Sound Pressure levels are tested in an anechoic chamber under ISO Standard 3745.
- 4.All communication cable to be minimum 18 AWG, 2-conductor, stranded, shielded and must comply with applicable local and national code.
- 5.Nominal data is rated 0 ft above sea level, with 25 ft of refrigerant line per indoor unit and a 0 ft level difference between outdoor and indoor units. All capacities are net with a combination ratio between 95-105%.
- 6.Power wiring cable size must comply with the applicable local and national codes.
- 7.The voltage tolerance is ± 10%.



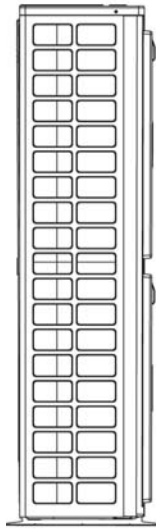
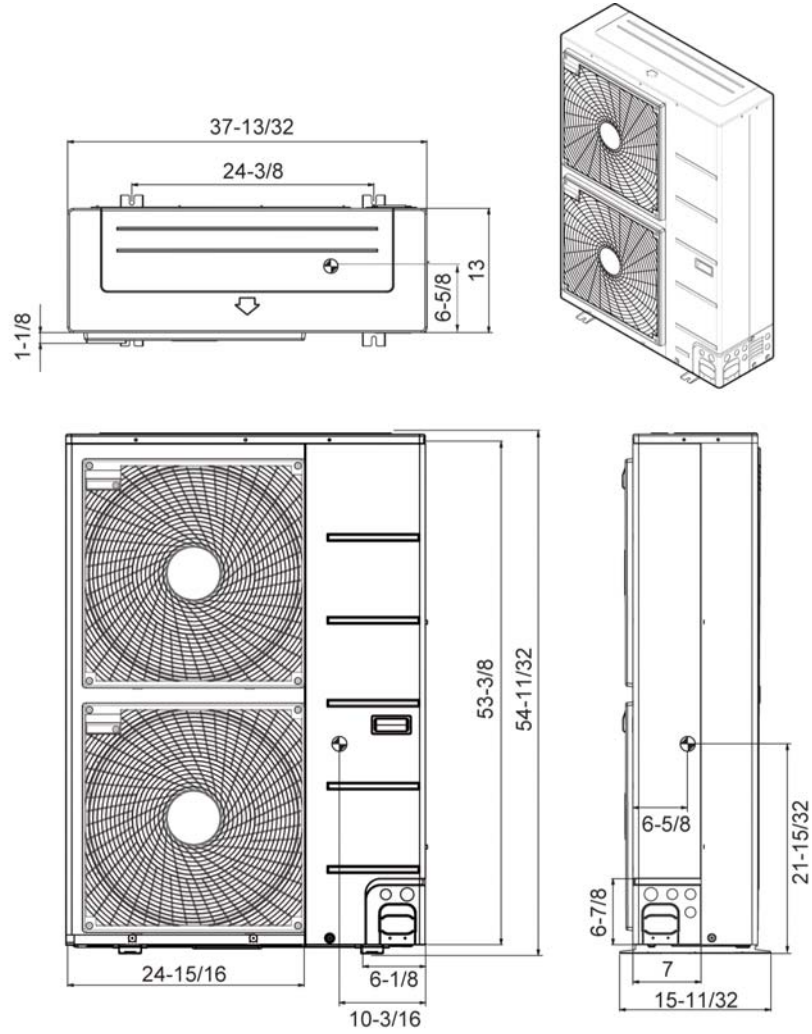
**ARUN048GSS4**  
 Multi V™ S Heat Pump  
 4.0 Ton Outdoor Unit



Tag #:

Date:

PO No.:



Unit: inch  
 ⊕ Center of Gravity

