

Date:	For: <input type="checkbox"/> File <input type="checkbox"/> Resubmit
PO No.:	<input type="checkbox"/> Approval <input type="checkbox"/> Other _____
Architect:	GC:
Engr:	Mech:
Rep:	
(Company)	(Project Manager)



ARUN038GSS4
Multi V™ S Heat Pump
3.0 Ton Outdoor Unit

Performance:

Cooling Mode:

Rated Capacity (Btu/h)	38,000
Power Input ¹ (kW)	3.52

Heating Mode:

Rated Capacity (Btu/h)	42,000
Power Input ¹ (kW)	3.97

Rated Capacity is based on the following conditions:

Cooling:	Heating:
Indoor: 80°F DB / 67°F WB	Indoor: 70°F DB
Outdoor: 95°F DB	Outdoor: 47°F DB / 43°F WB

Electrical:

Power Supply (V/Hz/Ø)	208-230/60/1
MOP (A)	40
MCA (A)	25
Rated Amps (A)	
Compressor (A)	19.5
Fan (A)	1.0

Piping:

Refrigerant Charge (lbs)	6.6
Liquid Line (in, OD)	3/8
Vapor Line (in, OD)	5/8

Standard Features:

- Night Quiet Operation
- Fault Detection and Diagnosis

Optional Accessories:

- Low Ambient Baffle Kit - PAG-HS4 + PAG-HS5

****Installation of an optional Low Ambient Wind Baffle Kit will allow operation down to -9.9°F in cooling mode.**

Operating Range:

Cooling (°F WB)**	23-122
Heating (°F DB)	-4 - 61

Unit Data:

Refrigerant Type	R410A
Refrigerant Control	EEV
Max Number of Indoor Units ²	6
Sound Pressure ³ dB(A)	50
Net Unit Weight (lbs)	207
Shipping Weight (lbs)	218
Communication Cable ⁴ (No x AWG)	2 x 18
Heat Exchanger Coating	GoldFin™

Compressor:

Type	Rotary
Quantity	1
Oil/Type	PVE/FVC68D

Fan:

Type	Axial Flow Fan
Quantity	2
Motor/Drive	Brushless Digitally Controlled/Direct
Air Flow Rate (CFM)	3,885

Notes:

- 1.For AHRI ratings, refer to the AHRI website <http://www.ahridirectory.org>.
- 2.The combination ratio must be between 50 – 130%.
- 3.Sound Pressure levels are tested in an anechoic chamber under ISO Standard 3745.
- 4.All communication cable to be minimum 18 AWG, 2-conductor, stranded, shielded and must comply with applicable local and national code.
- 5.Nominal data is rated 0 ft above sea level, with 25 ft of refrigerant line per indoor unit and a 0 ft level difference between outdoor and indoor units. All capacities are net with a combination ratio between 95-105%.
- 6.Power wiring cable size must comply with the applicable local and national codes.
- 7.The voltage tolerance is ± 10%.



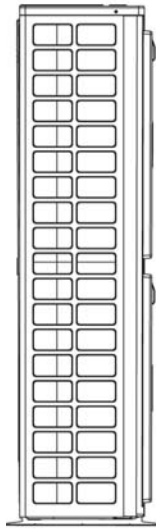
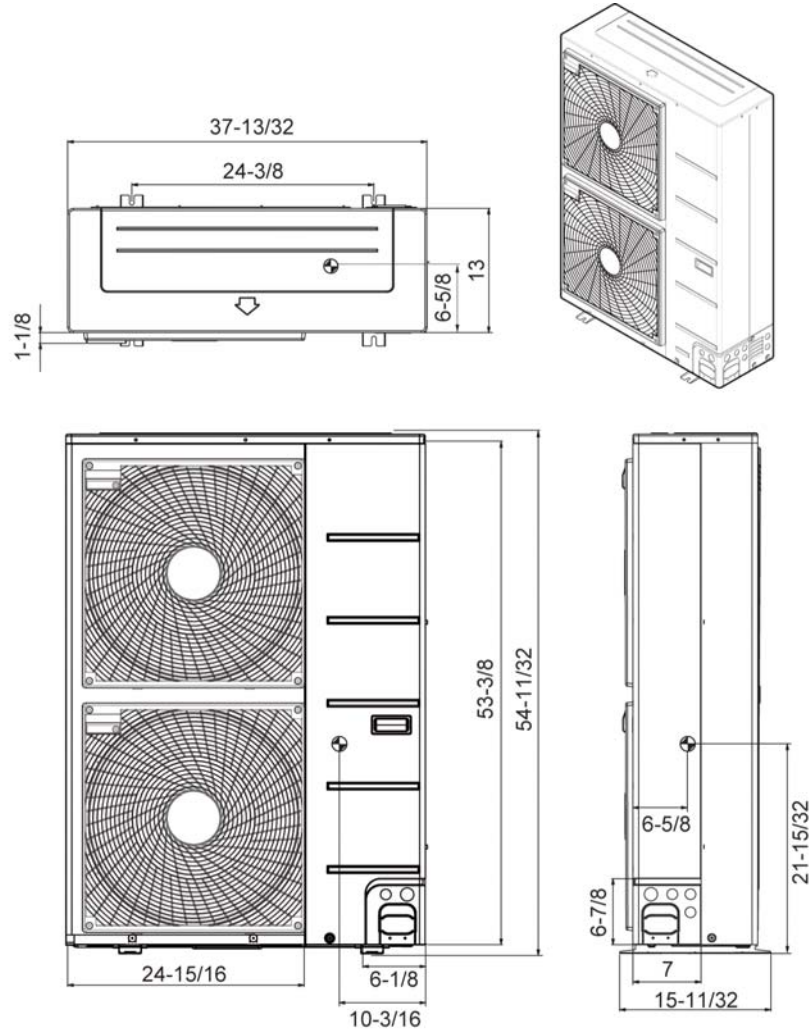
ARUN038GSS4
 Multi V™ S Heat Pump
 3.0 Ton Outdoor Unit



Tag #:

Date:

PO No.:



Unit: inch
 ⊕ Center of Gravity

