

Job Name : _____
 Purchaser : _____
 Engineer : _____
 Submitted To : _____
 Submitted By : _____
 Unit Designation : Schedule No.: _____

Location : _____
 P.O. No. : _____
 Architect : _____
 Date : _____
 For : Reference Approval Construction
 Model No.: _____



Submittal Data : LS360HV

Standard Single Zone Mini-Split

System Model

Indoor Model # LSN360HV
 Outdoor Model # LSU360HV

Performance :

Capacity (Cooling)	33,100
(Heating)	35,200
EER	8.2
SEER	16.1
HSPF	9.9
Air Circulation (CFM H/M/L)	740/670/450
Fan Speeds	4/Auto/Chaos
Dehumidification (pts/hr)	10.6
Sound Data - Indoor (+3dB(A))	49/44/39
Sound Data - Outdoor (+3dB(A))	55
Cooling Indoor Air Temp Min/Max (°F DB)	64/90
Heating Indoor Air Temp Min/Max (°F DB)	61/86

Electrical :

Rated Voltage Outdoor (V, Hz, Ph)	230/208, 60, 1
Rated Voltage Indoor (V, Hz, Ph)	230/208, 60, 1
Minimum Circuit Ampacity (A)	16.8
Maximum Overcurrent Protection (A)	25
Cooling Running Current (Rated) (A)	17.8
Heating Running Current (Rated) (A)	17.8
Compressor Running Current (Rated) (A)	12.5
Fan Motor Running Current (Rated) (A)	0.6

Dimensions :

Indoor Dimension (WxHxD, inches)	47 5/8 x 13 5/8 x 8 1/16
Indoor Weight (lbs)	39.7
Outdoor Dimension (WxHxD, inches)	34 5/16 x 31 1/2 x 12 5/8
Outdoor Weight (lbs)	132.3

Refrigerant Piping :

Refrigerant Type	R410a
Refrigerant Charge (25ft)(lbs)	4.41
Liquid Side (inches, O.D)	3/8
Suction Side (inches, O.D)	5/8
Additional Refrigerant (oz./ft.)	0.38
Maximum Pipe Length (ft)	98
Piping length (no add'l refrigerant, ft.)	25
Maximum Elevation (ft)	49

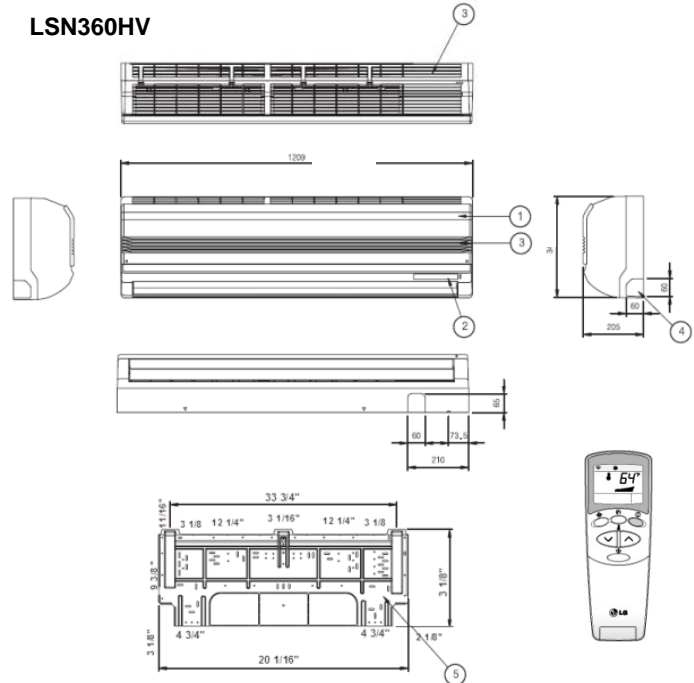
Standard Features :

- Limited Five Year Compressor Warranty
- Limited Two Year Functional Parts Warranty
- Inverter (Variable Speed Compressor)
- Plasma Air Purifying System
- Chaos Swing Air Circulation
- Jet Cool™
- Temperature display on indoor unit
- Auto Restart
- Gold Fin™ Anti-Corrosion
- Built-in Low Ambient Standard down to 14°F (cooling mode)

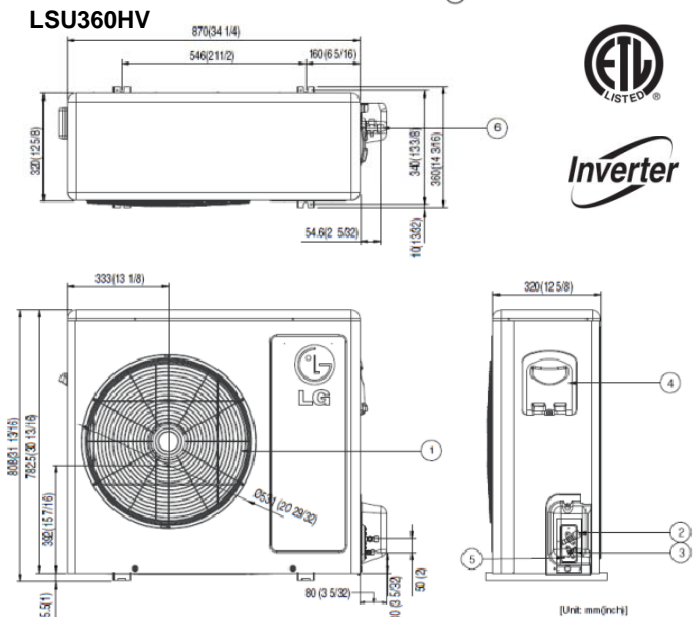
Note :

LG Electronics USA, Inc. HVAC Division
 1000 Sylvan Avenue, Englewood Cliffs, NJ 07632 / www.lg.com www.lghvac.com

LSN360HV



LSU360HV



Operating Range (Outdoor) :

Cooling (°F)	14-115
Heating (°F)	5-75

Accessory Option :

- Wired Wall Thermostat – PQRVSL0(QW)

© LG Electronics USA, Inc. 2010 DFS-SB-AA-020-US 013A07
 Specifications and information in this submittal data are subject to change without notice.