

Date: _____ For: File Resubmit
 PO No.: _____ Approval Other _____
 Architect: _____ GC: _____
 Engr: _____ Mech: _____
 Rep: _____
 (Company) _____ (Project Manager) _____



PQCSW421E0A
AC Smart Premium



Electrical:

Power Supply	24 VAC 60 Hz
Power Consumption	22 VA

40 VA transformer recommended.

Surrounding Conditions:

Operating Temperature	32-104 °F
Storage Temperature	-4-140 °F
Humidity	0-98% (non-condensing)

Unit Data:

Dimensions	10" W x 6-5/8" H x 1-3/16" D
Maximum Number of Devices	128
Maximum Number of Outdoor Units	16 per V-net
Maximum Number of Controllers	2 per V-net

Standard Features:

- 10.2 inch WSVGA TFT LCD Touch Screen
- Indoor Unit Control/Monitoring by Groups/Indoor Units
- Web Access with User Access Control
- Operation and Error History Log
- Forced Off Digital Input
- One Digital Input and two Digital Outputs for Device Interlocking

Basic Unit Functions

- Operation – On/Off
- Mode – Auto/Cool/Dry/Heat/Fan Only
- Setpoint
- Fan Speed – Auto/Low/Med/High/Power
- Louver Swing

Advanced Unit Functions

- Two Setpoint Auto-changeover
- Two Setpoint Setback
- 200 Programmable Schedule Events with control of setpoint, On/Off, Mode, Fan Speed, Controller Lock, and Louver Swing
- Temperature Setpoint Range Limit
- Remote Controller Lock (All, Setpoint, Mode, Fan Speed)
- Run Time Limit (Unoccupied Override)
- Software Device Interlocking
- Manual Control and Scheduling of Digital Output Kit
- Peak/Demand Control
- Visual Floorplan Navigation
- Error E-mail Notification
- Power Distribution Indicator (PDI) (optional)

Notes:

Must follow installation instructions in the applicable LG installation manual.

Optional Accessories (sold separately)

- Digital Output Kit - PQNFP00T0
- Power Distribution Indicator (PDI) - PQNUD1S41

Connectivity:

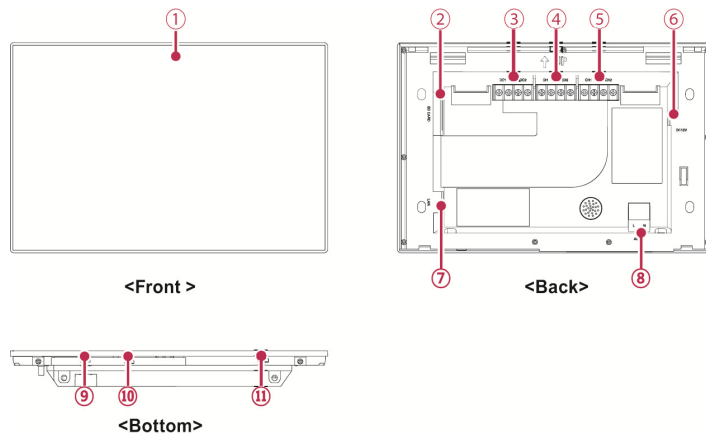
LG Communications	1 Channel/RS-485 V-Net
Ethernet	10/100 BASE-T

Communications Cabling Specifications (V-Net):

Type	2-conductor, stranded, shielded copper cable/PVC or vinyl jacket
Size	AWG 18 x 2
Maximum Length	3,280 ft (end to end)

AWG - American Wire Gauge

Description:



- | | |
|-------------------|------------------|
| 1 Touch Screen | 7 Ethernet Port |
| 2 SD Card Slot | 8 24 VAC Input |
| 3 Digital Outputs | 9 Micro USB Port |
| 4 Digital Inputs | 10 Mini USB Port |
| 5 V-Net Ports | 11 Power Button |
| 6 12 VDC Input | |