

Job Name/Location:

Tag #:

Date: _____ For: File Resubmit
 PO No.: _____ Approval Other _____
 Architect: _____ GC: _____
 Engr: _____ Mech: _____
 Rep: _____
 (Company) (Project Manager)



LS180HSV4
 High Efficiency Single Zone Inverter
 Outdoor Unit (ODU) - LSU180HSV4 Indoor Unit (IDU) - LSN180HSV4



Performance:

Cooling:

Cooling Capacity (Min~Rated~Max) (Btu/h)	3,070~18,200~29,515
SEER	20.5
EER	12.6

SEER - Seasonal Energy Efficiency Ratio EER - Energy Efficiency Ratio

Heating:

Heating Capacity (Min~Rated~Max) (Btu/h)	3,070~22,000~38,898
HSPF	9.7

HSPF - Heating Seasonal Performance Factor

Cooling Nominal Test Conditions: Indoor: 80°F DB/67°F WB Outdoor: 95°F DB/75°F WB
 Heating Nominal Test Conditions: Indoor: 70°F DB/60°F WB Outdoor: 47°F DB/43°F WB

Electrical:

Power Supply (V/Hz/Ø)	208-230/60/1
-----------------------	--------------

Outdoor Unit:

MOP (A)	25
MCA (A)	19
Cooling Rated Amps (A)	15.4
Heating Rated Amps (A)	15.4
Compressor (A)	14.6
Fan Motor (A)	0.25

MOP - Maximum Overcurrent Protection MCA - Minimum Circuit Ampacity

Total Power Input:

Cooling Power Input (kW)	1.45
Heating Power Input (kW)	1.76

Piping:

Liquid Line (in, OD)	3/8
Vapor Line (in, OD)	5/8
Additional Refrigerant (oz/ft)	0.38
Min/Max Pipe Length (ft) ²	9.84/98.4
Piping Length (no add'l refrigerant, ft)	24.6
Max Elevation (ft)	49.2

Controls Features:

- 24-Hour on/off timer
- 4-Way auto swing
- Auto changeover
- Built-in low ambient standard, down to 14°F (cooling mode)
- Chaos wind
- Condensate Sensor Connection
- Inverter (variable speed compressor)
- Smart AC module (optional)
- Auto restart
- Energy saving
- Jet cool/Jet heat
- 3M Micro Protection Filter
- Self-cleaning indoor coil
- Sleep mode
- Cooling only function
- IDU compatible with Multi F ODUs
- Multiple thermostat options

Optional Accessories (sold separately)

- LG Programmable Thermostat - PREMTB10U
- PI485 - PMNFP14A0
- Low Ambient Wind Baffle (Cooling operation to 0°F) - ZLABGP02A
- ODU Drain Pan Heater - PQSH1201

For a complete list of available accessories, contact your LG representative.

For continual product development, LG reserves the right to change specifications without notice.

© LG Electronics U.S.A., Inc., Englewood Cliffs, NJ. All rights reserved. "LG Life's Good" is a registered trademark of LG Corp. /www.lghvac.com

Operating Range:

Outdoor Unit:

Cooling (°F DB)	14-118
Heating (°F WB)	-4-65

Indoor Unit:

Cooling (°F WB)	53-75
Heating (°F DB)	60-86

Unit Data:

Refrigerant Type	R410A
Refrigerant Control	EEV
Refrigerant Charge (lbs)	3.97
ODU Sound Pressure (±3 dB(A)) ³	53
IDU Sound Pressure (H/M/L/Sleep) (±3 dB(A)) ³	45/40/35/29
ODU Net Unit Weight (lbs)	121
ODU Shipping Weight (lbs)	131
IDU Net Unit Weight (lbs)	31
IDU Shipping Weight (lbs)	36
Heat Exchanger Coating	GoldFin™

Fan:

ODU Type	Propeller
IDU Type	Cross Flow
Fan Speeds (Fan/Cooling/Heating)	6/6/6
Quantity (ODU + IDU)	1 + 1
Motor/Drive	Brushless Digitally Controlled/Direct
ODU Max Air Flow Rate (CFM)	2,119
IDU Air Flow H/M/L (CFM)	622/509/399
Dehumidification (pts/hr)	5.5

Notes:

1. Acceptable operating voltage: 187V-253V.
2. Piping lengths are equivalent.
3. Sound Pressure levels are tested in an anechoic chamber under ISO Standard 1996.
4. All communication/power cable to be minimum 18 AWG, 4-conductor, stranded, shielded and must comply with applicable local and national code.
5. See Engineering Manual for sensible and latent capacities.
6. Power wiring cable size must comply with the applicable local and national code.
7. The indoor unit comes with a dry helium charge.
8. This data is rated 0 ft above sea level, with 24.6 ft of refrigerant line and a 0 ft level difference between outdoor and indoor units.
9. Must follow installation instructions in the applicable LG installation manual.



Outdoor Unit (ODU) - LSU180HSV4

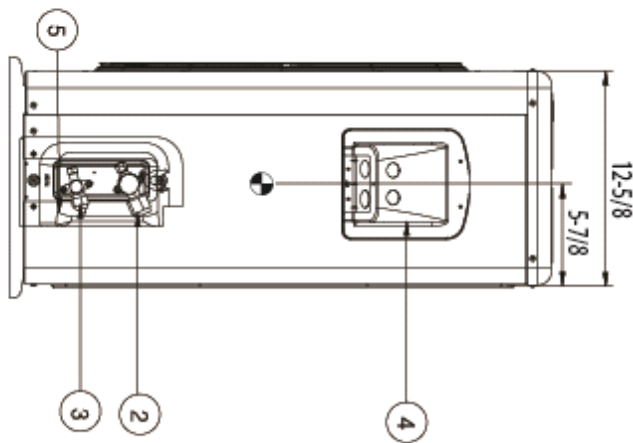
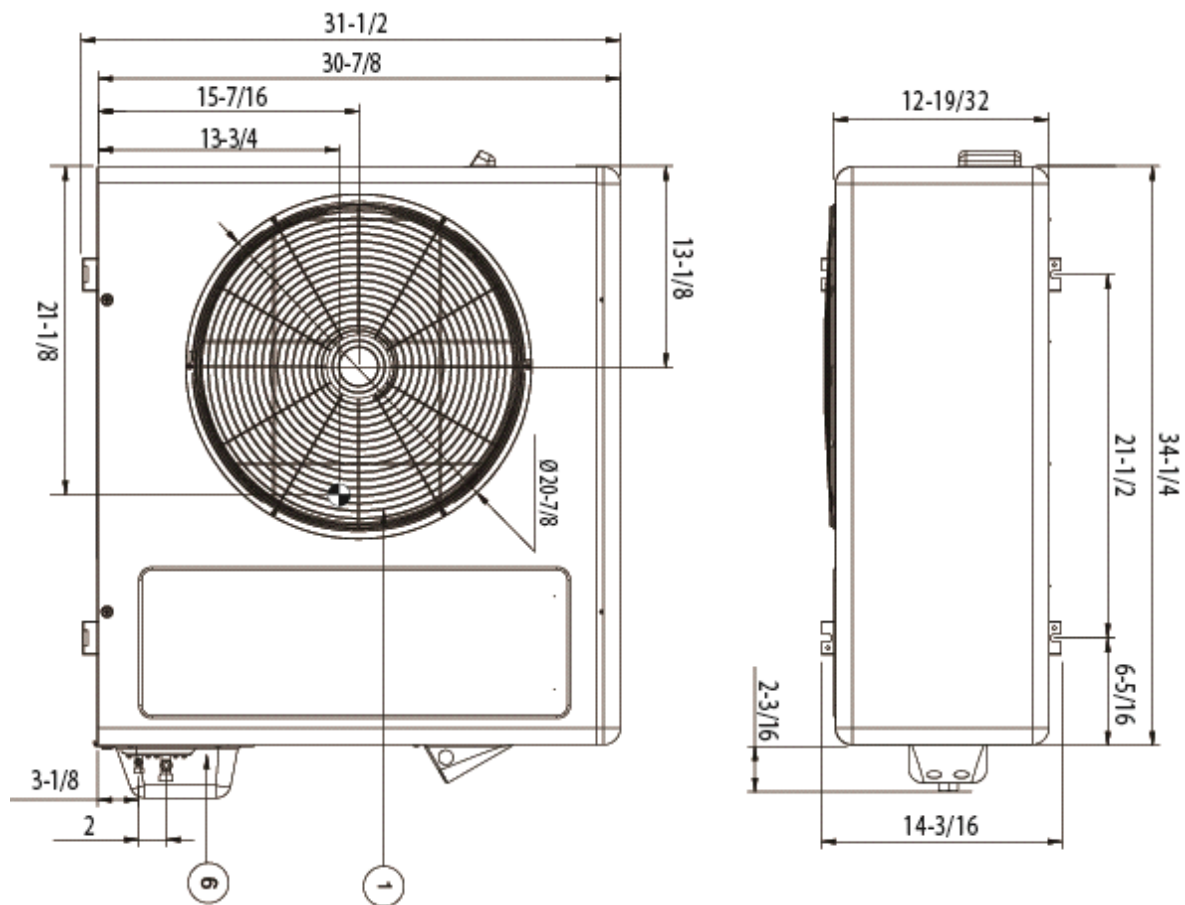
High Efficiency Single Zone Inverter




Tag #:

Date:

PO No.:




Center of gravity
 [Unit : inch]

Item No.	PartName	Remark
1	Discharge air grille	
2	Gas pipe connection	
3	Liquid pipe connection	
4	Power & Transmission connection	
5	Earth screw	
6	SVC valve cover	

Indoor Unit (IDU) - LSN180HSV4

High Efficiency Single Zone Inverter

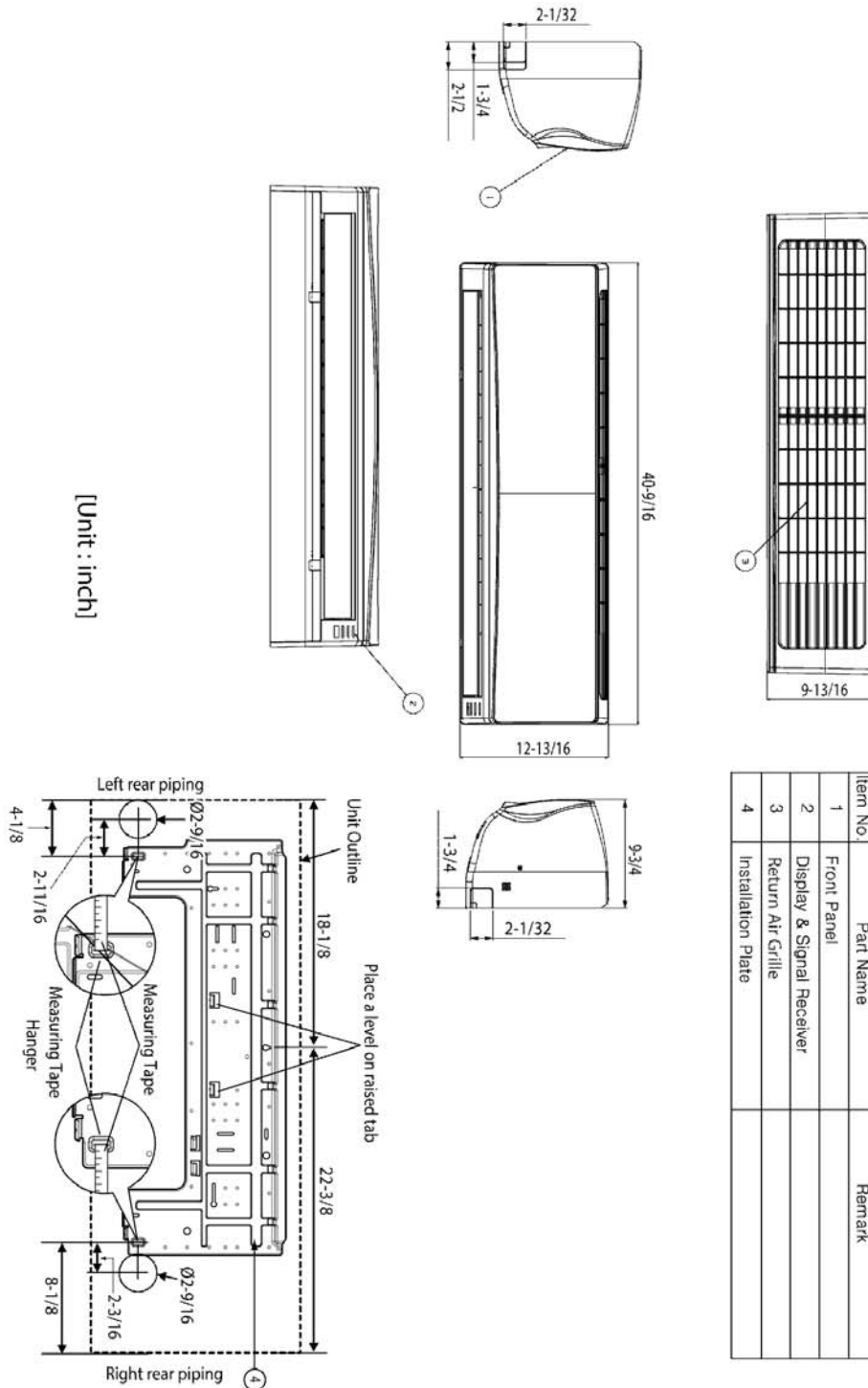


Tag #: _____

Date: _____

PO No.: _____

[Unit : inch]



Item No.	Part Name	Remark
1	Front Panel	
2	Display & Signal Receiver	
3	Return Air Grille	
4	Installation Plate	