

Job Name/Location:

Tag #:

Date: \_\_\_\_\_ For:  File  Resubmit  
 PO No.: \_\_\_\_\_  Approval  Other \_\_\_\_\_  
 Architect: \_\_\_\_\_ GC: \_\_\_\_\_  
 Engr: \_\_\_\_\_ Mech: \_\_\_\_\_  
 Rep: \_\_\_\_\_  
 (Company) \_\_\_\_\_ (Project Manager) \_\_\_\_\_



**LS120HSV4**  
 High Efficiency Single Zone Inverter  
 Outdoor Unit (ODU) - LSU120HSV4 Indoor Unit (IDU) - LSN120HSV4

**Performance:**

**Cooling:**

Cooling Capacity (Min~Rated~Max) (Btu/h)	1,023~11,200~13,785
SEER	21.5
EER	12.5

SEER - Seasonal Energy Efficiency Ratio EER - Energy Efficiency Ratio

**Heating:**

Heating Capacity (Min~Rated~Max) (Btu/h)	1,023~13,300~22,178
HSPF	11.0

HSPF - Heating Seasonal Performance Factor

Cooling Nominal Test Conditions: Indoor: 80°F DB/67°F WB Outdoor: 95°F DB/75°F WB  
 Heating Nominal Test Conditions: Indoor: 70°F DB/60°F WB Outdoor: 47°F DB/43°F WB

**Electrical:**

Power Supply (V <sup>1</sup> /Hz/Ø)	208-230/60/1
-------------------------------------	--------------

**Outdoor Unit:**

MOP (A)	15
MCA (A)	10
Cooling Rated Amps (A)	8.7
Heating Rated Amps (A)	8.7
Compressor (A)	8.3
Fan Motor (A)	0.40

MOP - Maximum Overcurrent Protection MCA - Minimum Circuit Ampacity

**Total Power Input:**

Cooling Power Input (kW)	0.90
Heating Power Input (kW)	1.0

**Piping:**

Liquid Line (in, OD)	1/4
Vapor Line (in, OD)	3/8
Additional Refrigerant (oz/ft)	0.22
Min/Max Pipe Length (ft) <sup>2</sup>	6.6/65.6
Piping Length (no add'l refrigerant, ft)	41.0
Max Elevation (ft)	32.8

**Controls Features:**

- 24-Hour on/off timer
- 4-Way auto swing
- Auto changeover
- Auto restart
- Built-in low ambient standard, down to 14°F (cooling mode)
- Chaos wind
- Condensate Sensor Connection
- Energy saving
- Inverter (variable speed compressor)
- IDU compatible with Multi F ODUs
- Jet cool/Jet heat
- 3M Micro Protection Filter
- Self-cleaning indoor coil
- Sleep mode
- Cooling only function
- Smart AC module

**Optional Accessories (sold separately)**

- LG Programmable Thermostat - PREMTB10U
  - PI-485 - PMNFP14A0
  - Low Ambient Wind Baffle (Cooling operation to 0°F) - ZLABGP01A
- For a complete list of available accessories, contact your LG representative.  
 For continual product development, LG reserves the right to change specifications without notice.

**Operating Range:**

**Outdoor Unit:**

Cooling (°F DB)	14-118
Heating (°F WB)	-4-65

**Indoor Unit:**

Cooling (°F WB)	53-75
Heating (°F DB)	60-86

**Unit Data:**

Refrigerant Type	R410A
Refrigerant Control	EEV
Refrigerant Charge (lbs)	2.21
ODU Sound Pressure (±3 dB(A)) <sup>3</sup>	45
IDU Sound Pressure (H/M/L/Sleep) (±3 dB(A)) <sup>3</sup>	39/33/23/19
ODU Net Unit Weight (lbs)	75
ODU Shipping Weight (lbs)	79
IDU Net Unit Weight (lbs)	20
IDU Shipping Weight (lbs)	26
Heat Exchanger Coating	GoldFin™

**Fan:**

ODU Type	Propeller
IDU Type	Cross Flow
Fan Speeds (Fan/Cooling/Heating)	6/6/6
Quantity (ODU + IDU)	1 + 1
Motor/Drive	Brushless Digitally Controlled/Direct
ODU Max Air Flow Rate (CFM)	1,165
IDU Air Flow H/M/L (CFM)	353/272/191
Dehumidification (pts/hr)	2.3

**Notes:**

1. Acceptable operating voltage: 187V-253V.
2. Piping lengths are equivalent.
3. Sound Pressure levels are tested in an anechoic chamber under ISO Standard 1996.
4. All communication/power cable to be minimum 18 AWG, 4-conductor, stranded, shielded and must comply with applicable local and national code.
5. See Engineering Manual for sensible and latent capacities.
6. Power wiring cable size must comply with the applicable local and national code.
7. The indoor unit comes with a dry helium charge.
8. This data is rated 0 ft above sea level, with 24.6 ft of refrigerant line and a 0 ft level difference between outdoor and indoor units.
9. Must follow installation instructions in the applicable LG installation manual.



# Outdoor Unit (ODU) - LSU120HSV4

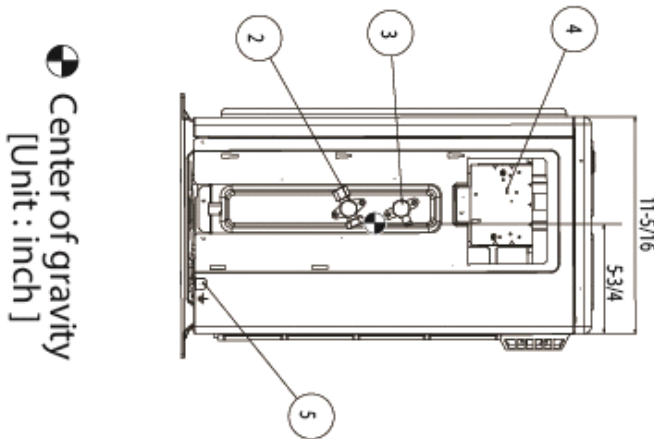
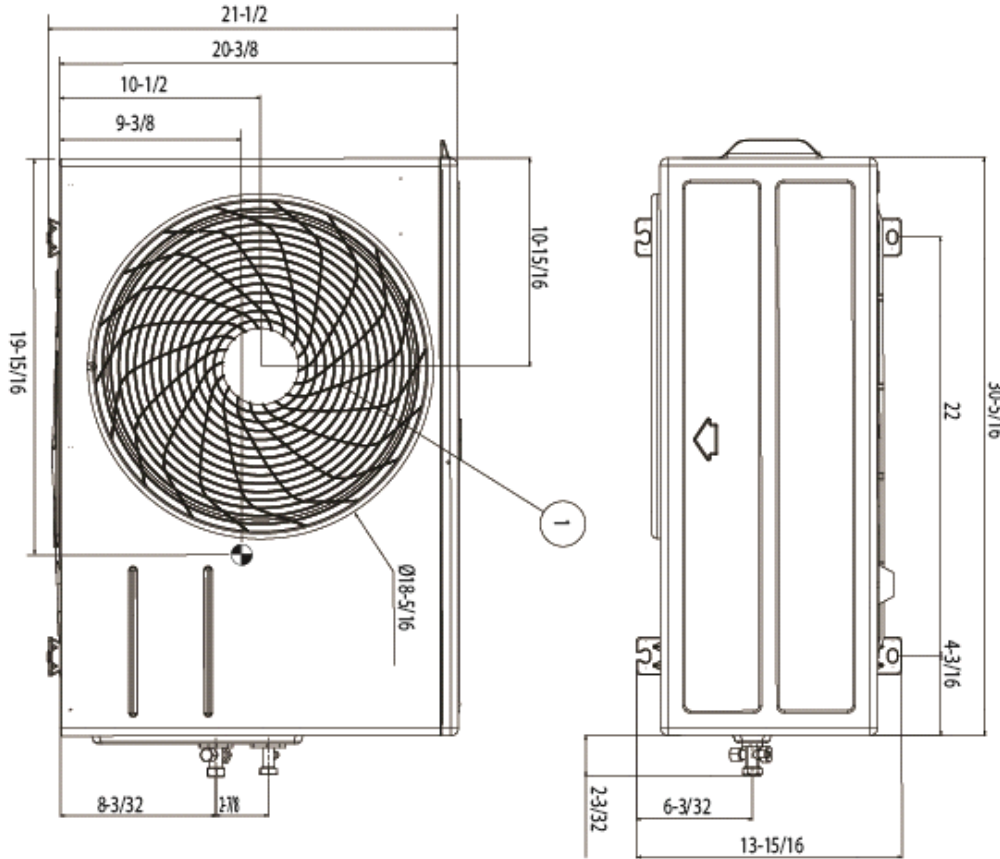
High Efficiency Single Zone Inverter



Tag #: \_\_\_\_\_

Date: \_\_\_\_\_

PO No.: \_\_\_\_\_



Item No	Part Name	Remark
1	Discharge Air Grille	
2	Gas Pipe Connection Port	
3	Liquid Pipe Connection Port	
4	Control Box	
5	Earth Screw	

# Indoor Unit (IDU) - LSN120HSV4

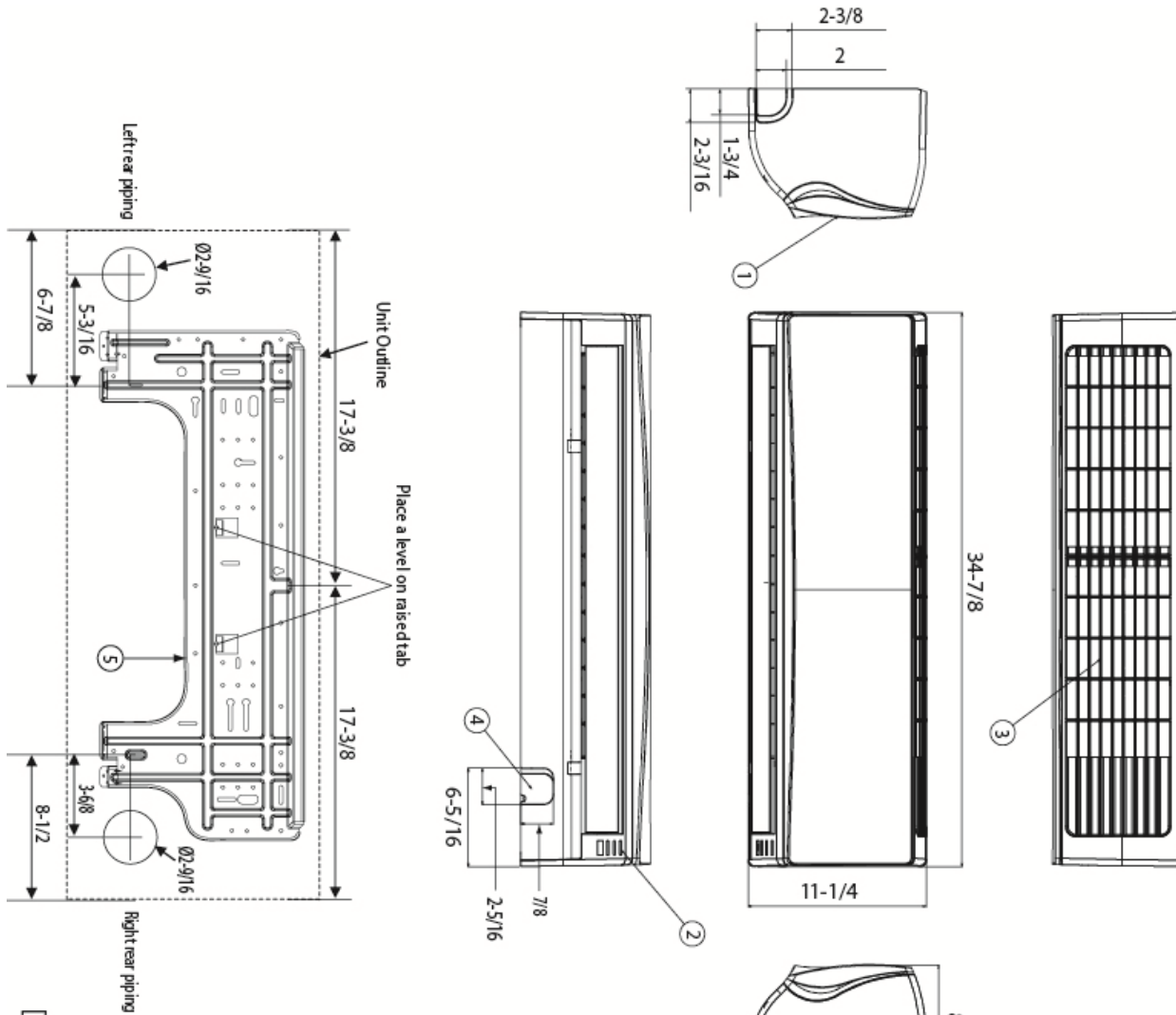
## High Efficiency Single Zone Inverter



Tag #: \_\_\_\_\_

Date: \_\_\_\_\_

PO No.: \_\_\_\_\_



[Unit : inch]

Item No.	Part Name	Remark
1	Front Panel	
2	Display & Signal Receiver	
3	Return Air Grille	
4	Knockout hole	For pipe and cable
5	Installation Plate	