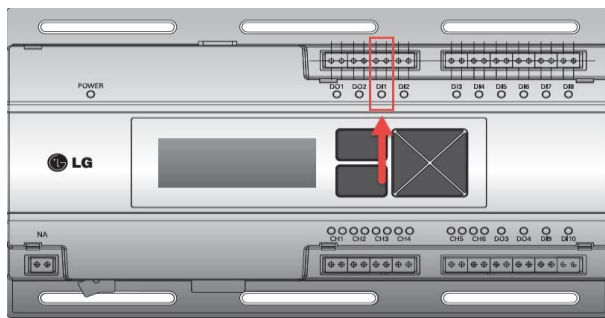
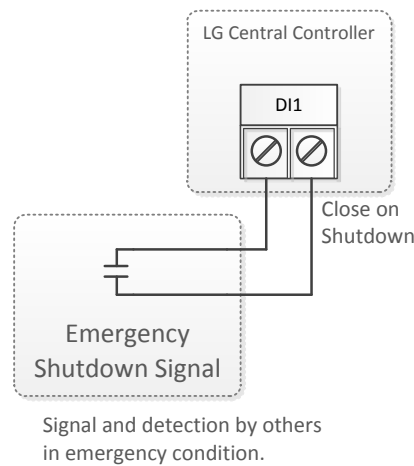


Emergency Shutdown Application

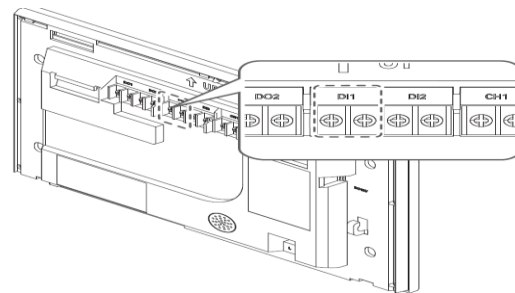
Muti V indoor units can be shut down by the detection of an emergency situation by a 3rd party system. The indoor units can be shut down collectively through a Central Control's Emergency shutdown input or individually by disrupting power to the indoor unit.*

Emergency shutdown with Central Controllers (CC)/Gateways (GW)

The Central Controller (CC) / Gateway (GW) can receive a signal into DI1 to stop the operation of all connected devices, (IDU, ERV, etc.) controlled by the CC/GW.



ACP IV



AC Smart IV

Sequence of Operations:

The DI1 port should always be open except when an incident occurs.

This is a communicated shutdown.

***NOTE: Always follow local codes for emergency shutdown.**



Once an emergency incidence occurs, all other control signals are blocked.

All remote controllers will be locked out.

A manual restart (Alarm acknowledgment) will have to be performed after a shutdown occurs at the AC Smart/ACP. A reset will also have to be communicated to all connected devices.

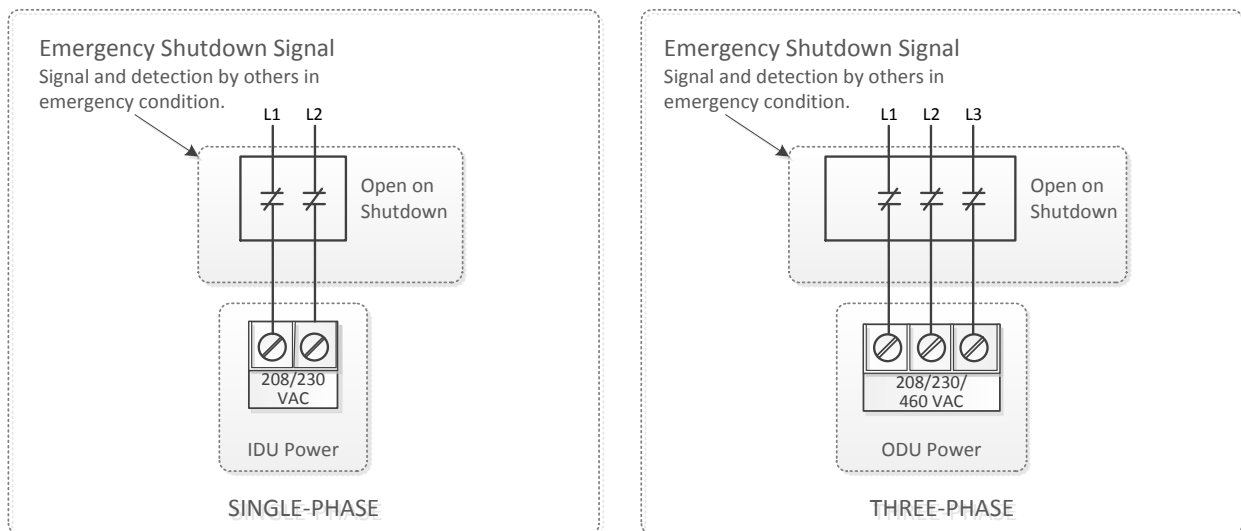
A program must be created in the Central Controller/Gateway through Interlocking to communicate to connected devices (See programming below).

Emergency Shutdown without Central Controllers

If a Central Controller is not installed, or if local code dictates individual indoor unit shutdown is required, all incoming power to the indoor unit must be interrupted.

L1 and L2 on single-phase units

L1, L2 and L3 on three-phase units



***NOTE: Always follow local codes for emergency shutdown.**

This document, as well as all reports, illustrations, data, information, and other materials are the property of LG Electronics U.S.A., Inc., and are disclosed by LG Electronics U.S.A., Inc., only in confidence.

All material provided herein is for informational or educational purposes only. It is not intended to be a substitute for professional advice.

Please consult with your engineer or design professionals for application to your system.

For continual product development, LG Electronics U.S.A., Inc., reserves the right to change specifications without notice. For more technical materials such as submittals, engineering data books, and catalogs, visit www.lg-vrf.com.

©LG Electronics U.S.A., Inc.