

Job Name/Location:

Tag #:

Date:

For: File Resubmit
 Approval Other _____

PO No.:

Architect: GC:

Engr: Mech:

Rep:

(Company)

(Project Manager)



ARNU123SBR4
 Multi V™ Art Cool™ Mirror Indoor Unit
 12,300 Btu/h Indoor Unit

Performance:

Total Cooling Capacity ¹ (Btu/h)	12,300
Heating Capacity (Btu/h)	13,600
Power Input ² (W)	21

Cooling Nominal Test Conditions:
 Indoor: 80°F DB/67°F WB
 Outdoor: 95°F DB

Heating Nominal Test Conditions:
 Indoor: 70°F DB
 Outdoor: 47°F DB/43°F WB

Electrical:

Power Supply (V/Hz/Ø)	208-230/60/1
Rated Amps (A)	0.16

Piping:

Refrigerant:

Liquid Line (in, OD)	1/4 Flare
Vapor Line (in, OD)	1/2 Flare

Condensate:

Condensate Line (in, ID)	5/8
Factory Installed Pump	No

Controls Features:

- Auto changeover (Heat Recovery only)
- Auto operation
- Auto clean (coil dry)
- Auto restart
- Child lock
- Dual thermistor control
- Group control
- Hot start
- Self diagnostics
- Timer (on/off)
- Weekly schedule
- Auto direction/swing (up/down)
- Auto direction/swing (left/right)
- Fan speed control
- Jet cool (fast cooling)
- Dual setpoint control
- Filter life and power consumption displays
- External on/off control

Optional Accessories:

- Wireless Remote Controller - PQWRHQ0FDB
- LG Programmable Controller - PREMTB10U
- LG Premium Controller - PREMTA000
- Simple Controller with Mode (Black) - PQRCVCL0Q
- Simple Controller with Mode (White) - PQRCVCL0QW
- Simple Controller without Mode (Black) - PQRCHCA0Q
- Simple Controller without Mode (White) - PQRCHCA0QW
- Simple Dry Contact (1 contact, 24 VAC external power) - PDRYCB100
- Dry Contact for Economizer - PQDSBC1
- Dry Contact for Third Party Thermostat - PDRYCB300
- Aux Heater Kit - PRARS1

Unit Data:

Refrigerant Type	R410A
Refrigerant Control	EEV
Sound Pressure ³ dB(A) (H/M/L)	37 / 34 / 30
Primary Filter Type	Washable
Secondary Filter ⁵	Plasma
Net Unit Weight (lbs)	24
Shipping Weight (lbs)	29

Fan:

Type	Cross Flow
Quantity	1
Motor/Drive	Brushless Digitally Controlled/Direct
Motor Quantity	1
Airflow Rate H/M/L (CFM)	336 / 290 / 230

Notes:

1. See Engineering Manual for sensible and latent capacities.
2. The Power Input is rated at high speed.
3. Sound Pressure levels are tested in an anechoic chamber under ISO Standard 3745.
4. All communication cable to be minimum 18 AWG, 2-conductor, stranded, shielded and must comply with applicable local and national code.
5. Plasma filter kit accessory available separately.
6. Power wiring cable size must comply with the applicable local and national code.
7. This unit comes with a dry nitrogen charge.
8. This data is rated 0 ft above sea level, with 25 ft of refrigerant line per indoor unit and a 0 ft level difference between outdoor and indoor units. All capacities are net with a combination ratio between 95 – 105%.
9. Must follow installation instructions in the applicable LG installation manual.



Job Name/Location:

ARNU123SBR4

Multi V™ Art Cool™ Mirror Indoor Unit

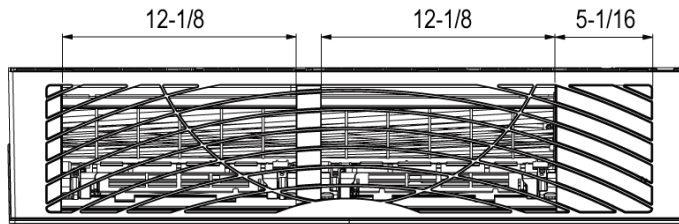
12,300 Btu/h Indoor Unit



Tag #:

Date:

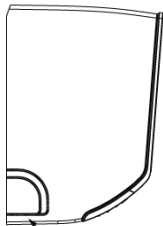
PO No.:



Air Inlet Grille

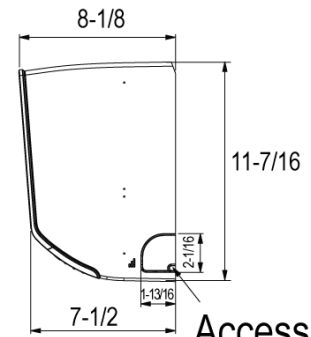
35-1/4

Front Panel

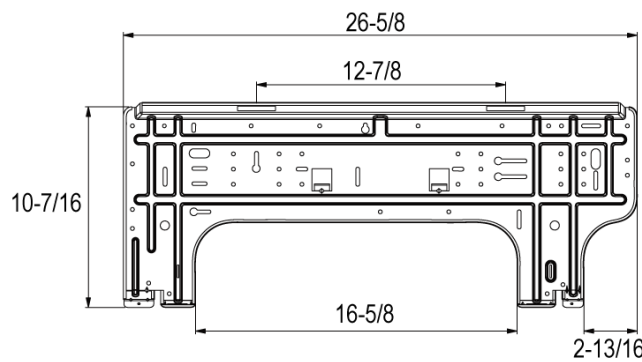


Access Hole

Display and Signal Receiver



Access Hole



Installation Plate

Unit: inches

Note: All measurements have a tolerance of $\pm 1/4$ in.